

4-246SL Hinge Pr01 SNAP-LINE 180°

Lift-off, 40x40mm, for nested door, tool-less installation

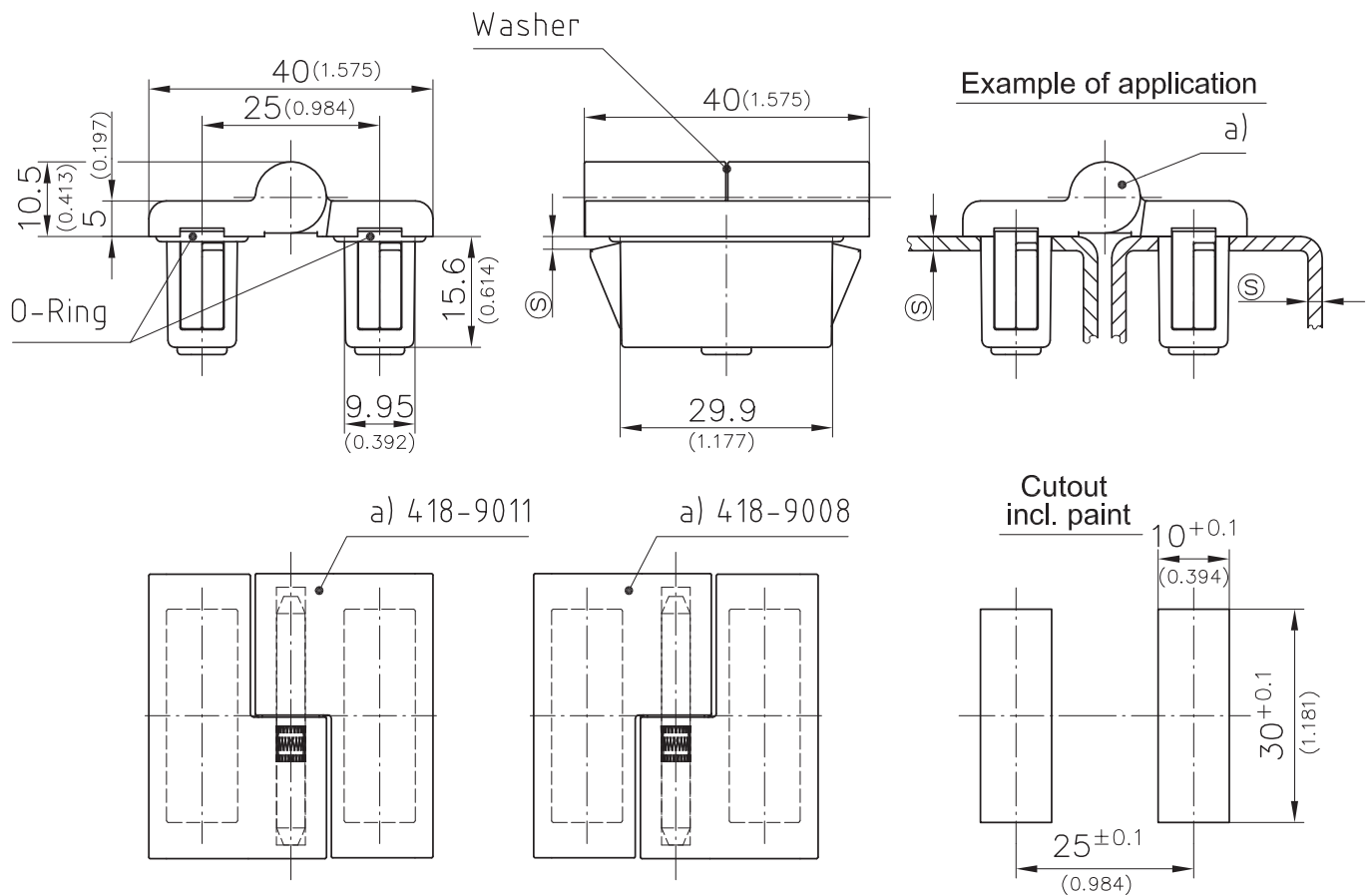


Hinge 40x40mm SNAP-LINE.

- Lift-off.
- The O-rings for IP65 DIN EN 60529 are included.
- RH and LH version.
- 180° Opening angle.
- The installation is effected by a simple push into appropriate cutout.

Material:

- **Hinge halves:** zinc die, black
- **Pin:** stainless steel
- **O-rings:** NBR
- **Snap-wedges:** sintered metal, coated
- **Washer:** stainless steel



	clamping range S	Part No. LH	Part No. RH	see page
a) 180° Hinge	0.7 - 1.2	418-9011.00-00010	418-9008.00-00010	
	1.2 - 1.7	418-9011.00-00015	418-9008.00-00015	
	1.7 - 2.2	418-9011.00-00020	418-9008.00-00020	
	2.2 - 2.7	418-9011.00-00025	418-9008.00-00025	
	2.7 - 3.2	418-9011.00-00030	418-9008.00-00030	

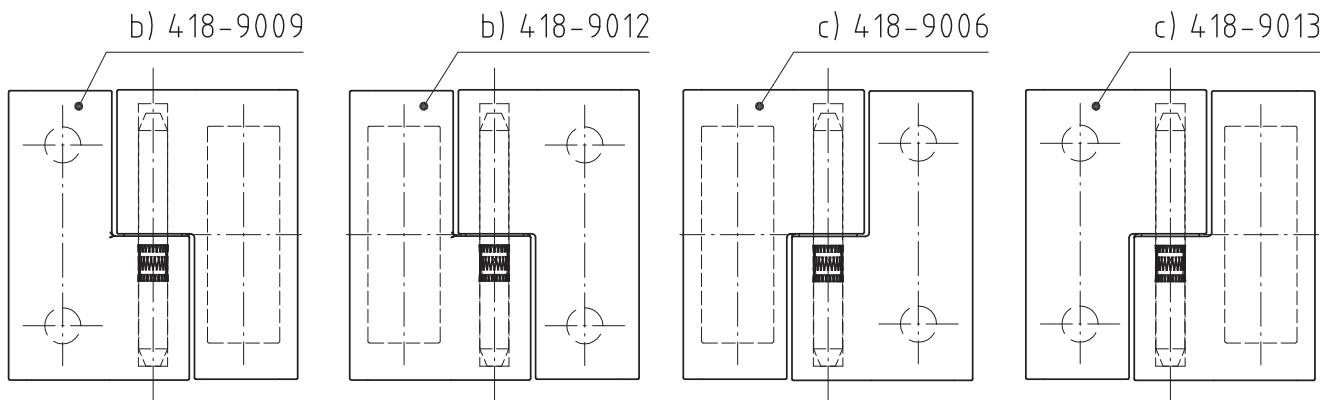
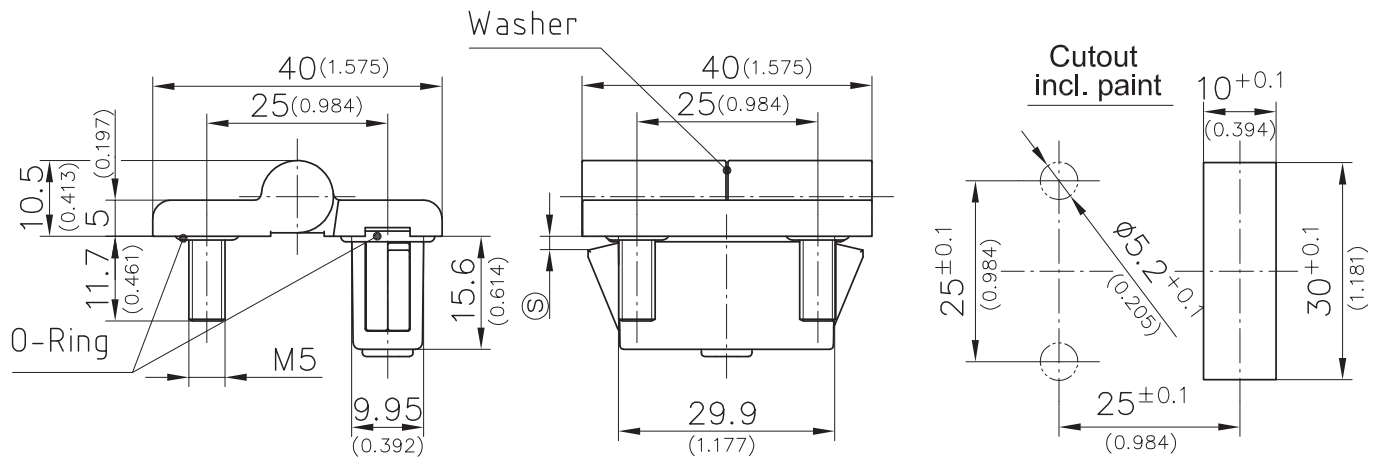
Other S - dimension on request!

Screw-on Hinge (both-sided with countersunk screws M5 molded in)

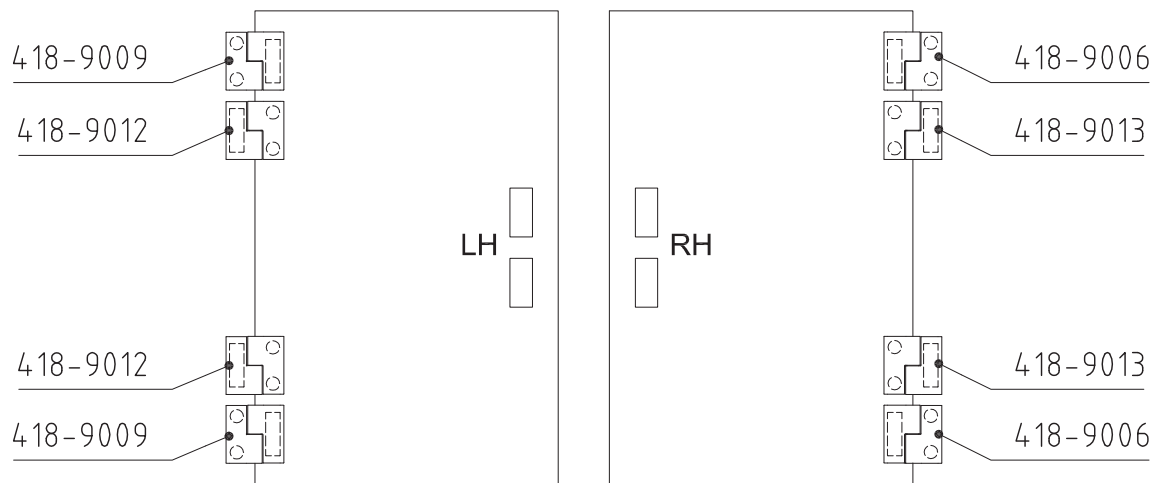
06.39

4-246SL Hinge Pr01 SNAP-LINE 180°

Lift-off, 40x40mm, for nested door, tool-less installation



installation situation SNAP/screw-on hinge



	clamping range [§]	Part No. Pin pressed into screw-in half	Part No. Pin pressed into SNAP-half
b) Hinge, snap-in/screw-on LH with screws M5 molded in	0.7 - 1.2	418-9009.00-00010	418-9012.00-00010
	1.2 - 1.7	418-9009.00-00015	418-9012.00-00015
	1.7 - 2.2	418-9009.00-00020	418-9012.00-00020
	2.2 - 2.7	418-9009.00-00025	418-9012.00-00025
	2.7 - 3.2	418-9009.00-00030	418-9012.00-00030
c) Hinge, snap-in/screw-on RH with screws M5 molded in	0.7 - 1.2	418-9006.00-00010	418-9013.00-00010
	1.2 - 1.7	418-9006.00-00015	418-9013.00-00015
	1.7 - 2.2	418-9006.00-00020	418-9013.00-00020
	2.2 - 2.7	418-9006.00-00025	418-9013.00-00025
	2.7 - 3.2	418-9006.00-00030	418-9013.00-00030