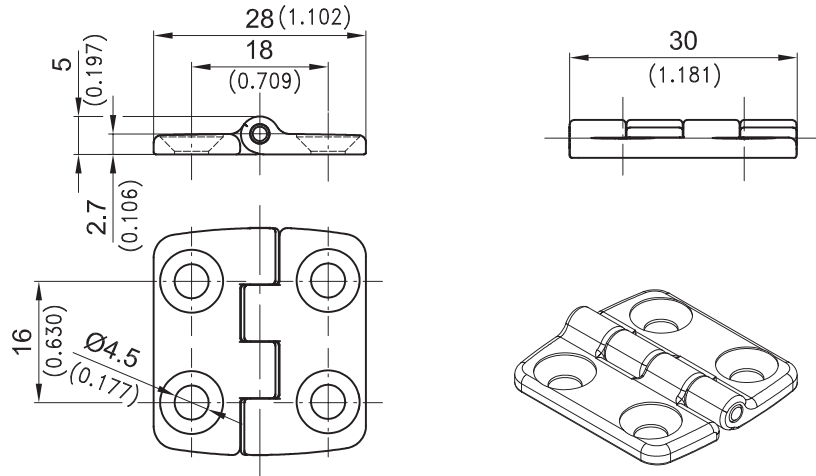
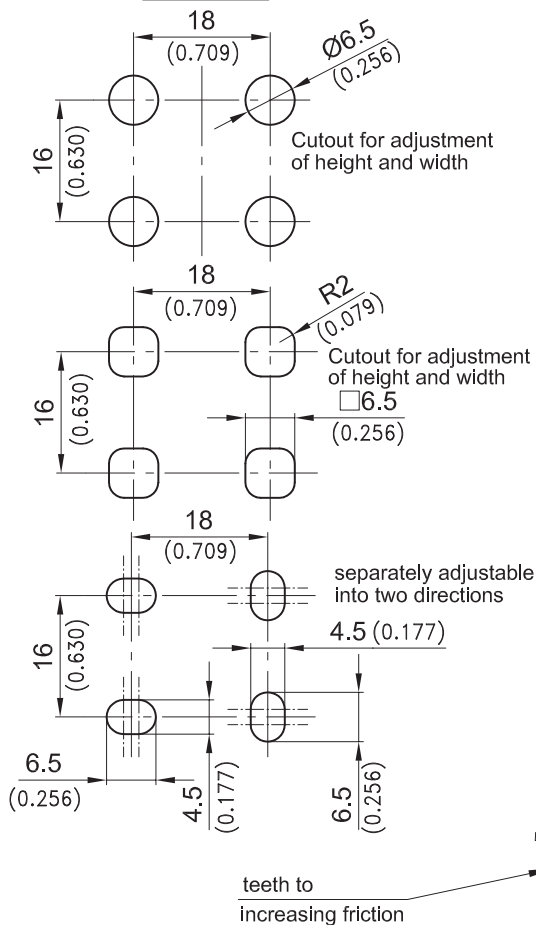


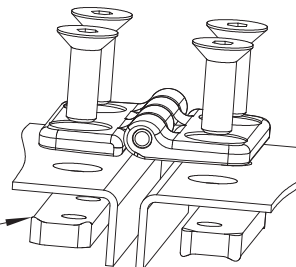
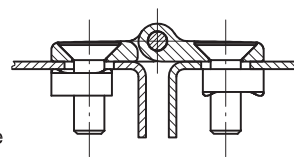
# 4-249 Hinge Pr01 180° for nested door



Cutout  
incl. paint



Example of application



Small elegant hinge.

- 180° Opening.
- With the screw fastened versions countersunk screws according DIN 7991 or according DIN EN ISO 10642 can be used.
- Adjustments are possible with respective bores provided.
- The nut plate can be mounted in different ways, according to the application.

**Material:**

- **Hinge Parts:** zinc die, matt chrome plated or zinc die, black matt E-COATED
- **Pin:** stainless steel
- **Nut plate:** steel zinc plated

	zinc die, matt chrome plated	zinc die, black matt E-COATED
180° Hinge	218-9502.00-00000	218-9501.00-00000
<b>Countersunk screws are not included!</b>		
Please order nut plate separately	218-0907.15-00000	

Further types with D-SNAP fastening please see SNAP-brochure see product system 4-249SL.

12/16/08

© copyright by DIRAK / Germany

