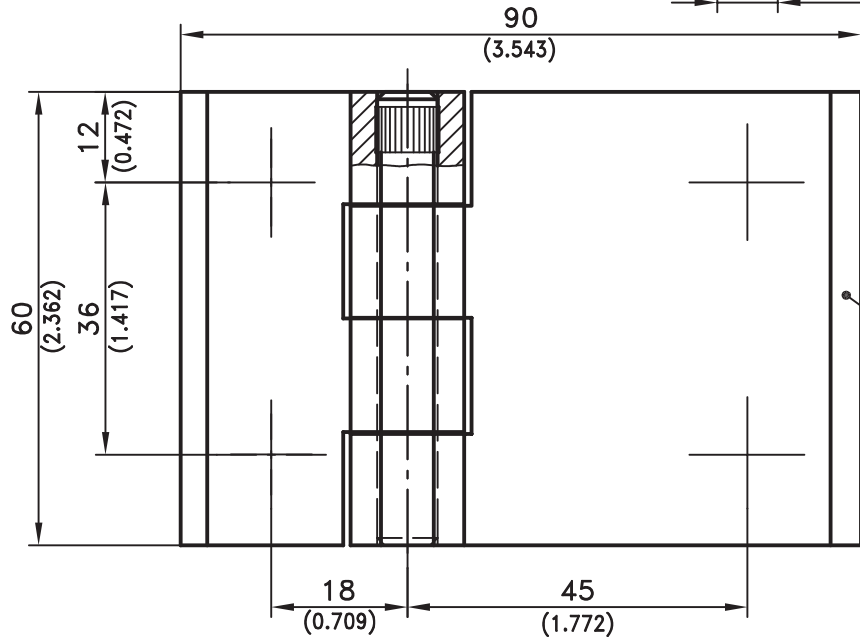
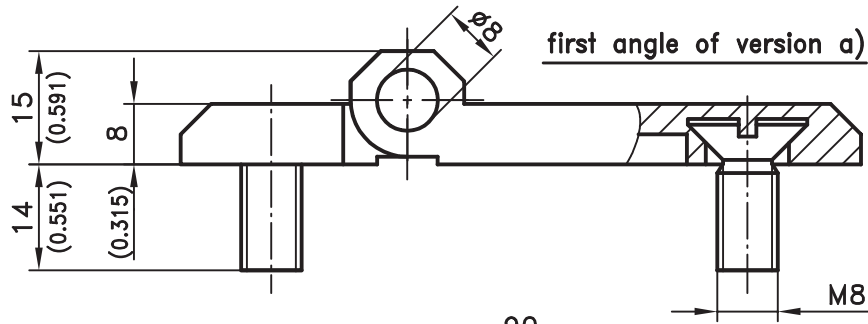


4-274 Hinge Pr01 270° for nested door

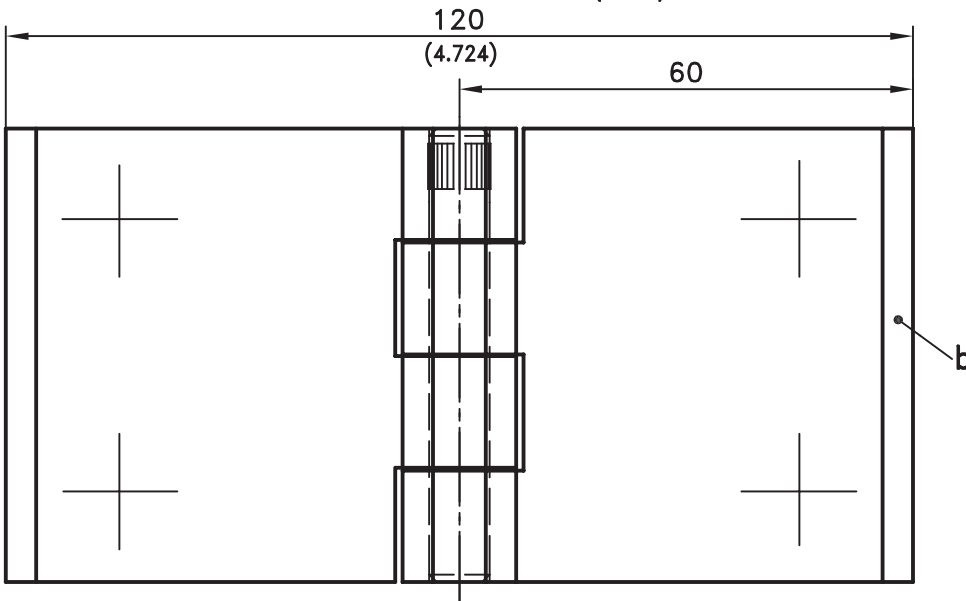


Heavy Duty
270° Screw-on Hinge.

- RH or LH application.
- Opening angle max. 270°.

Material:

- a) and b)
- **Hinge parts:**
zinc die, chrome plated
or black coated
- **Pivot pin:** AISI 304



	zinc die chrome plated	zinc die black coated
a) with different hinge half lengths	218-9209	218-9210
The short hinge half length is also available with countersunk holes. Please refer to product system 4-270 and 4-272.		
b) with identical hinge half lengths	218-9211	218-9212

12/16/08

© copyright by DIRAK / Germany

