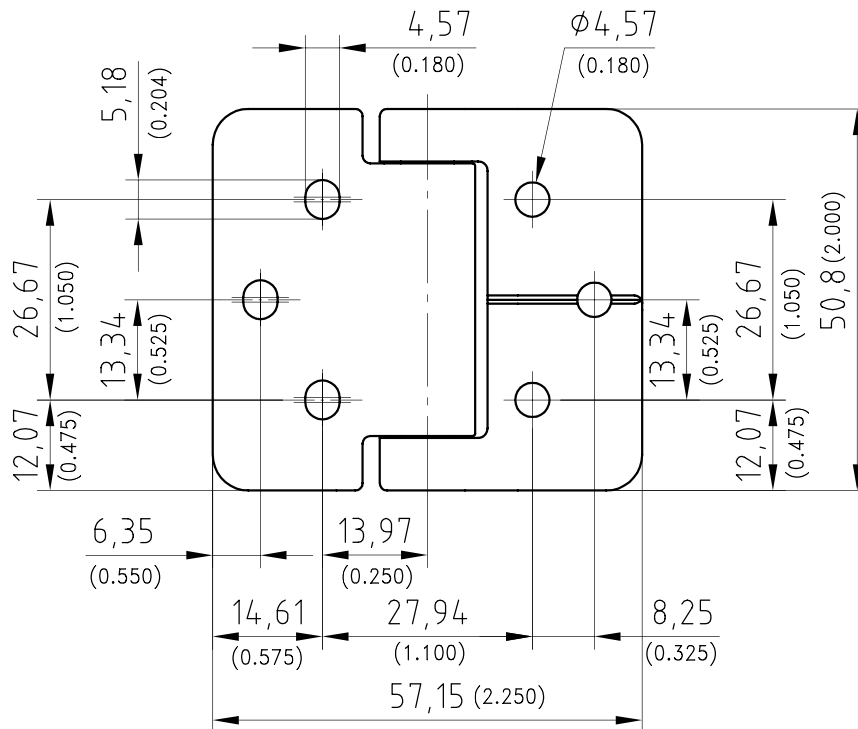
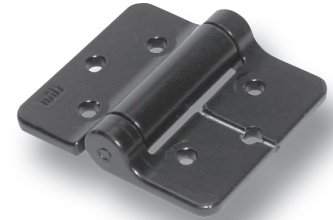
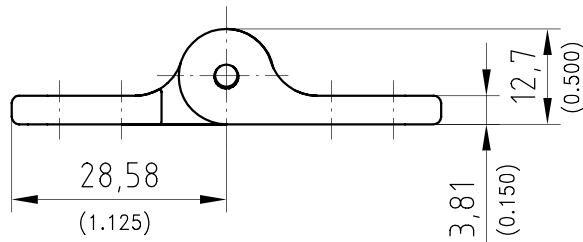


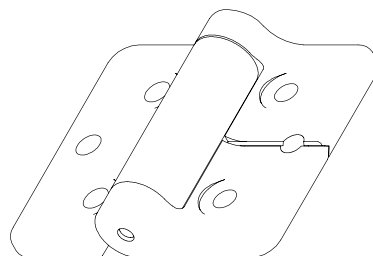
4-701 Torque Hinge Pr01 270° for nested door



270° hinge with constant torque throughout its full range of motion. The object (door, monitor) may be moved into any position and with remain.

- Without any engagement.
- Springback typically < 1°
- Constant torque throughout its full range of motion.
- Life of > 20.000 cycles
- RH and LH application.

Applications: Office Equipment, Medical Devices, Computer Peripherals, Flat Panel Monitors, Access Panels, Industrial Enclosures, Equipment Guards.



Material:

- **Housing:** zinc die, black matt E-COATED
- **Shaft and torque clips:** hardened steel

Fastening: for example with M4 screw DIN-EN-ISO 4762

	Nm	Part-No.
Torque Hinge	1.36	703-9001.00-00120
	2.26	703-9001.00-00200

Other Nm, surfaces and special solutions on request.

with **RELLTORQ** technology

12/16/08

© copyright by DIRAK / Germany

