

6-043 Screw Assembly for Terminal Box Cover

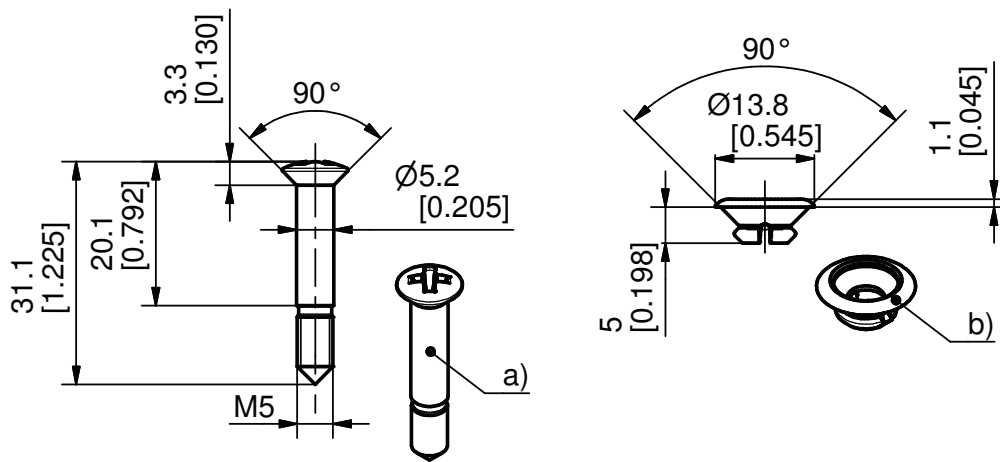


Screw assembly consists of raised countersunk M5x30 Phillips H2 screw and sleeve.

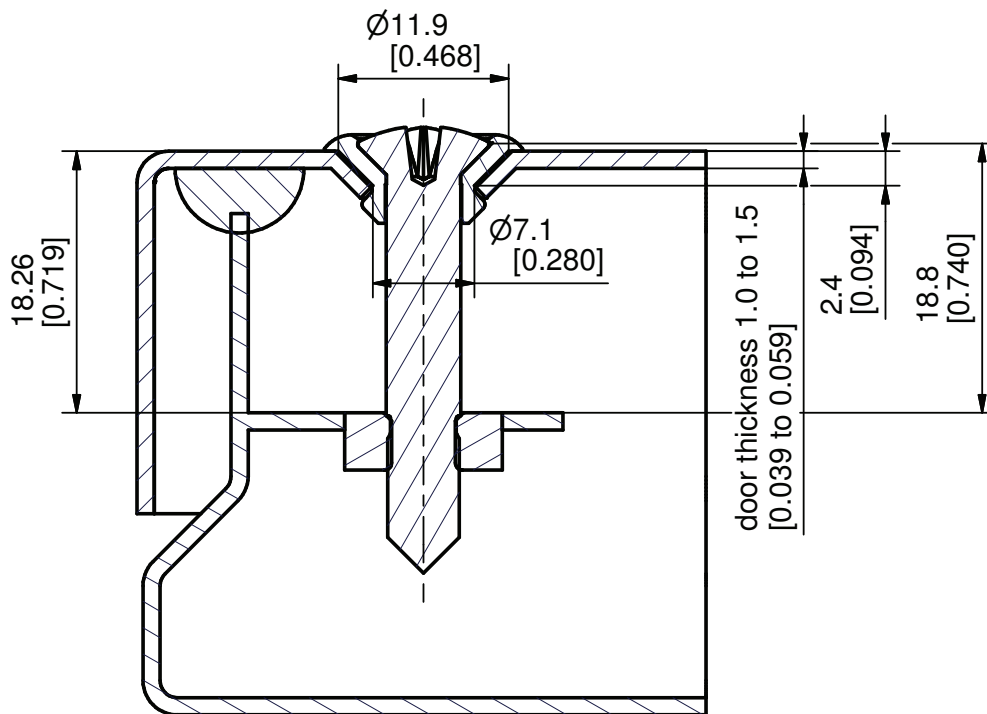
- Meets IP66 certification (applicable for installation example shown below with even compression of the foam/glued seal).
- Additional lengths and materials of the screw are available on request.

Material:

- **Raised countersunk screw:** steel, zinc plated
- **Sleeve:** TPV / Santoprene



Example of application



version	Part-No.	Packaging Unit
a) Raised countersunk screw, M5x30	202-1103.15-00530	1000
b) Sleeve	203-0655.61-00000	1000