

6-061SL Cable Management Device □9.5 and □12.7

with Fastener □9.5 and □12.7



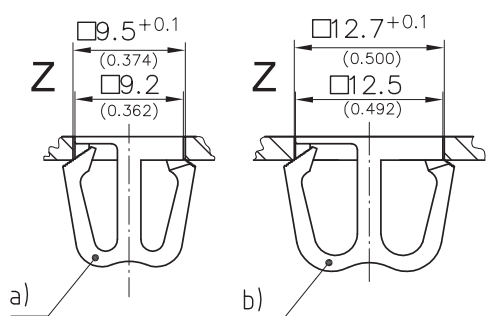
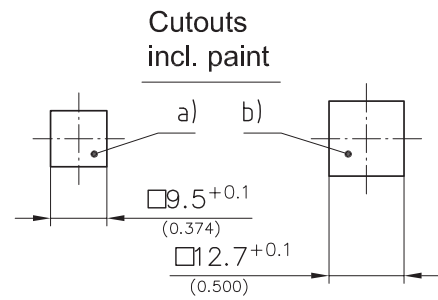
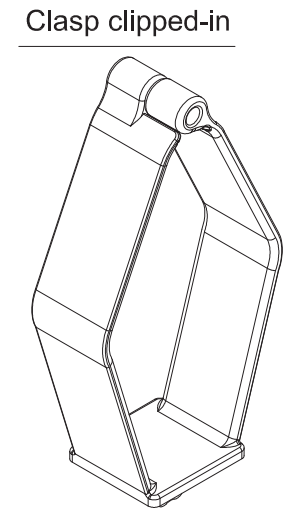
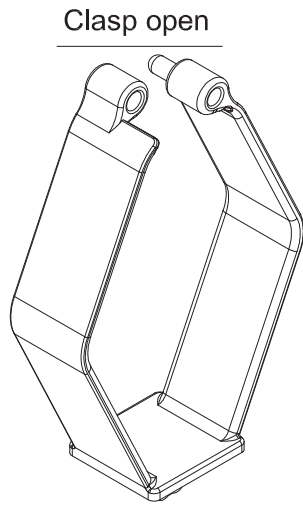
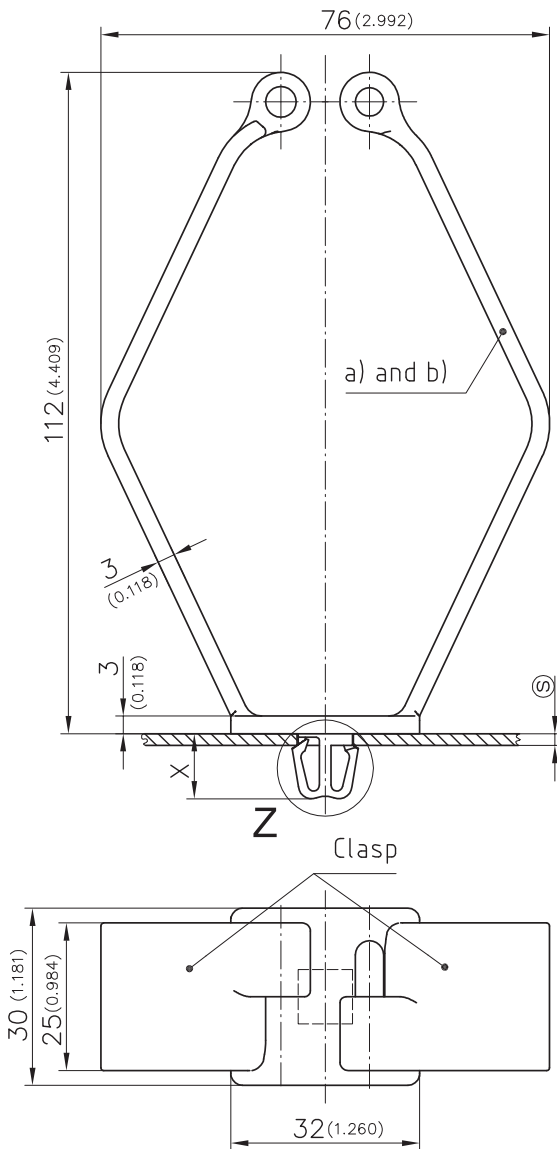
Clip-in cable management device for a cutout of □9.5 or □12.7, e.g. rail frame.

- Clips into the installation cutout for simple tool-less installation.
- The square base (□9.2 and □12.5) of the cable management device prevents it from turning within the installation cutout.
- Improves handling of power, network and fiber optic cables in the cabinet.
- Organizes data and power cables.
- Cables feed easily from the front of the open cable management device or passed through when the clasp is closed.

- Clasp engages quickly and easily after insertion of cables, preventing the cables from falling out.
- Securing the clasp increases stability and strength of the arms compared to traditional wire management devices.

Material:

- **Cable Management Device:** Polyamide, black



	dimension X in mm /inch	clamping range Ⓢ	Part No.	sales unit	see product system
a) Cable Management Device with Fastener □9.5	11 / 0.433	1.5 - 2mm	214-0108.51-10000	100	
b) Cable Management Device with Fastener □12.7	11.4 / 0.449	1.5 - 2mm	214-0108.51-20000	100	
Optional:					
Clip-on Radius for Cable Management Device (prevents the kinking of fiber optic cables and wires)			214-0110.51-00000	100	6-065SL

Other Ⓢ - dimension on request!