



6-127SL Slam Latch SNAP-LINE



flush, clip-in

Benefits:

- ▶ Clip-in low profile Slam latch SNAP-LINE for doors and panels with a sheet metal thickness of 1.5 to 2 mm.
- ▶ This Slam latch is mainly designed for light duty, applications: e.g. panels for electrical enclosures, A/C and air treatment enclosures.
- ▶ The completely pre-assembled latch is slid into the cutout and pushed down by hand into its final position.
- ▶ Weight: without cylinder: 33g, with cylinder: 46g

Material:

- ▶ **Slam latch, cpl.:** PA, black
- ▶ **Leg spring:** stainless steel
- ▶ **Spring for slam:** spring steel



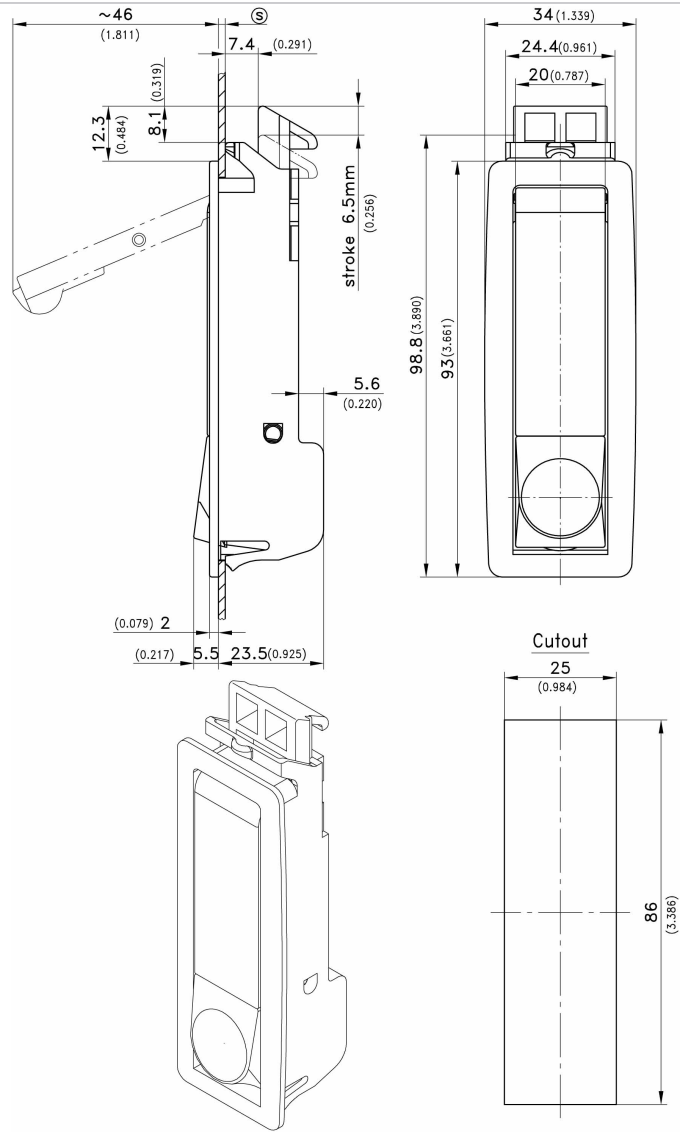
Slam-latch

| Part Number | Lockable | Closing | Cutout | Installation type | Clamping range |
|-------------------|----------|------------------------|-----------|-------------------|----------------|
| 282-9501.00-00000 | No | | 86 x 25mm | tool-less | 1,5 - 2 mm |
| 282-9502.00-00000 | Yes | keyed alike DIRAK 1333 | 86 x 25mm | tool-less | 1,5 - 2 mm |
| 282-9503.00-00000 | Yes | keyed different/mixed | 86 x 25mm | tool-less | 1,5 - 2 mm |

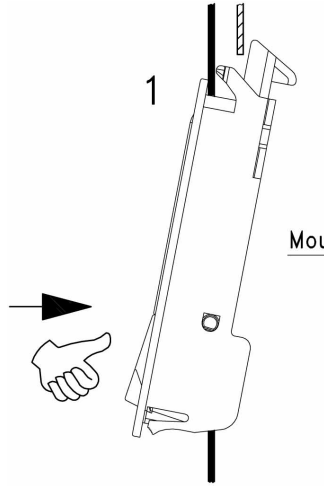


Additional Information:

282-9502.00-00000, 282-9503.00-00000 With stainless dust-shutter.



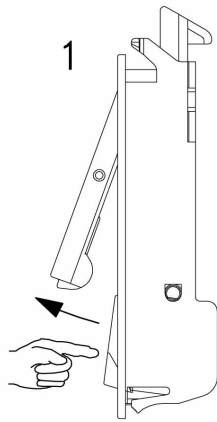
Mounting Instruction



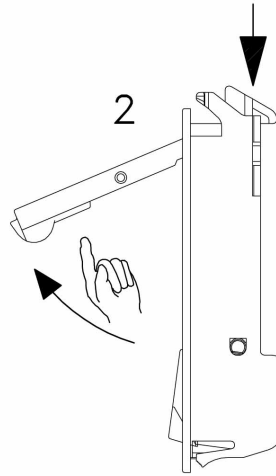
Slide the latch end into the sheet metal...



...push the housing into its final position.



Pressing the trigger button releases the lever and jumps up. The slam latch stays closed.



Lifting the lever opens the latch.