



6-503 2-Point Latch PHZ with Lock Cover



Patented vertical 2-point latch with ergonomically designed lock cover and magnet supported cylinder flap

Benefits:

- ▶ An ergonomically designed lock cover and magnet supported cylinder flap.
- ▶ Perfectly suited to control flat rods.
- ▶ The key inserted into the profile-cylinder opens and closes the lock according to DIN 18252.
- ▶ Closing- and opening operation 180°.
- ▶ The key is removable only in the locked position.
- ▶ Grounding with set screw DIN 914 (incl.).
- ▶ IP65 according to DIN EN 60529.
- ▶ Version DIN RH (as shown) Version DIN LH on request.
- ▶ (S) = max. 3mm.

Material:

- ▶ **Housing and slider:** zinc die, zinc plated
 - ▶ **Clamp:** zinc die, untreated
 - ▶ **Lock cover:** zinc die, matt chrome plated
- Other surfaces on request!**
- ▶ **O-rings:** NBR, black
 - ▶ **Seal for cylinder flap:** CR
 - ▶ **Fastening screws and set screw:** steel, zinc plated

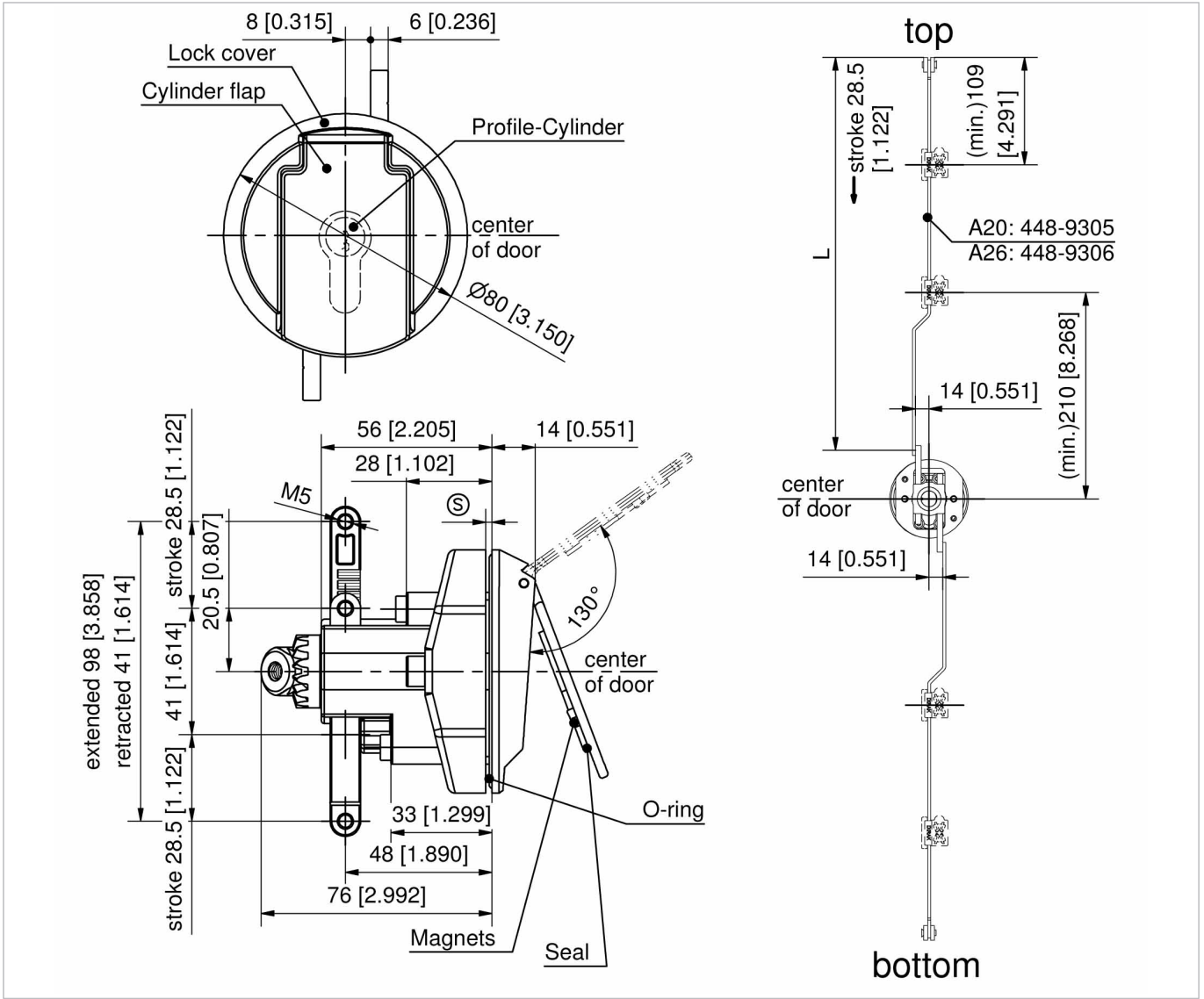


2-point latch with cover

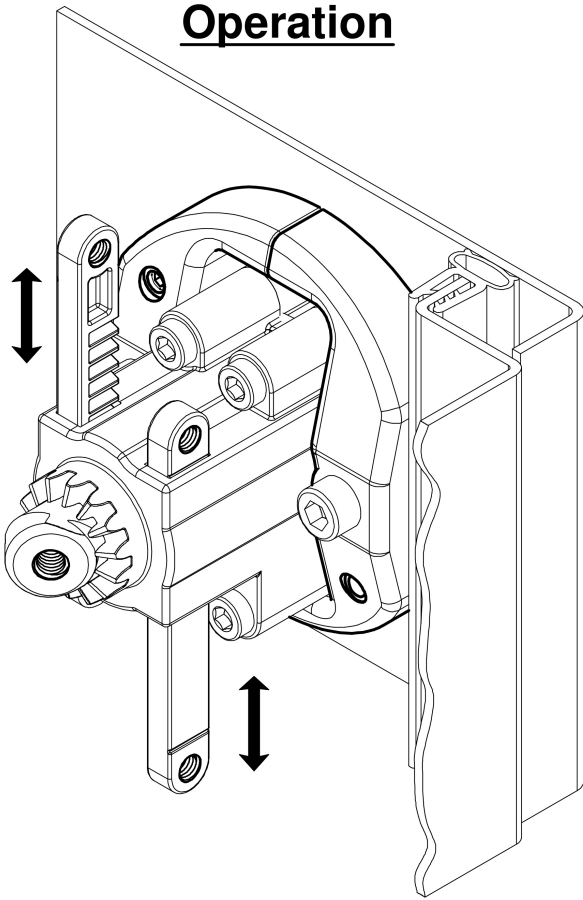
Part Number	Multi-point latch	Compression	Version
448-9120.00-00000	Yes	Yes	for flat rods

Complementary Products:

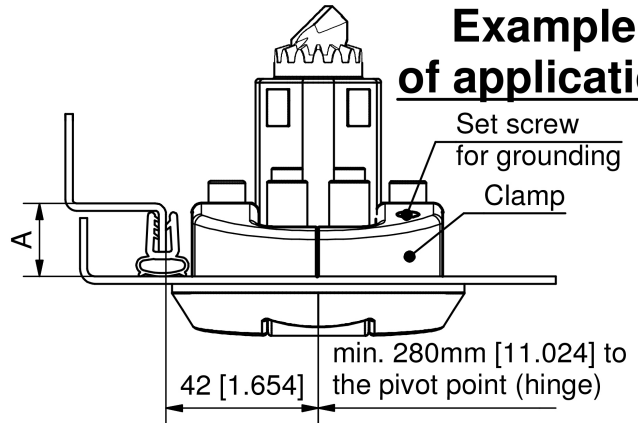
6-503	Flat Rod
3-910	Flat Rod Guide FS
3-911SL	Rod Guide FS SNAP-LINE
211-9001.00-00000	Profile-cylinder
211-9002.00-00000	Profile-cylinder



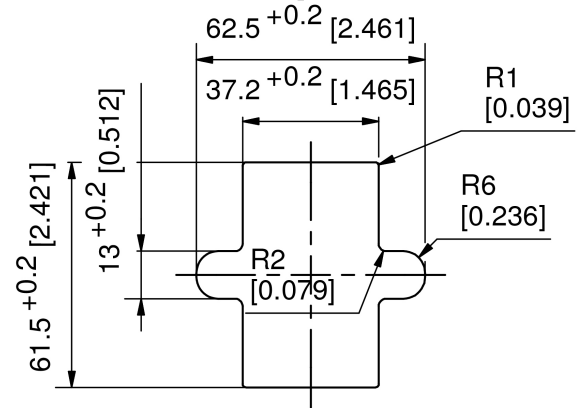
Operation



Example of application



Cutout incl. paint



Rod formular:

$$L = \frac{\text{clearance of the cabinet} - 10\text{mm [0.394] (tolerance)} - 41 \text{ (Rod Latch System in retraced condition)}}{2}$$

for 2-point latch PHZ 6-503, with lock cover and flat rods with rollers

