



6-503.01 2-Point Latch PHZ with Lock Cover



Patented horizontal 2-point latch with ergonomically designed lock cover and magnet supported cylinder flap

Benefits:

- ▶ An ergonomically designed lock cover and magnet supported cylinder flap.
- ▶ Perfectly suited to control flat rods.
- ▶ The key inserted into the profile-cylinder opens and closes the lock according to DIN 18252.
- ▶ Closing- and opening operation 180°.
- ▶ The key is removable only in the locked position.
- ▶ Grounding with set screw DIN 914 (incl.).
- ▶ IP65 according to DIN EN 60529.
- ▶ Version DIN RH (as shown), Version DIN LH on request.
- ▶ (S) = max. 3mm.

Material:

- ▶ **Housing and slider:** zinc die, zinc plated
- ▶ **Clamp:** zinc die, untreated
- ▶ **Lock cover:** zinc die, matt chrome plated

Other surfaces on request!

- ▶ **O-rings:** NBR, black
- ▶ **Seal for cylinder flap:** CR
- ▶ **Fastening screws and set screw:** steel, zinc plated

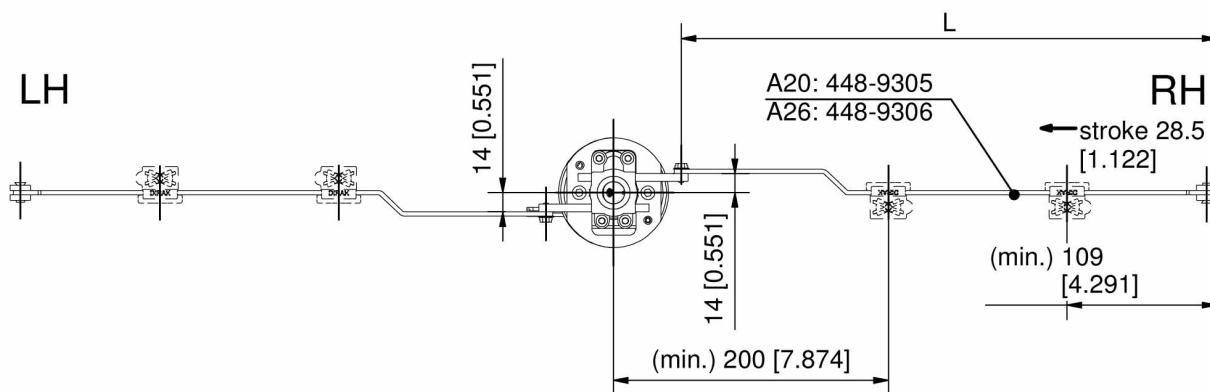
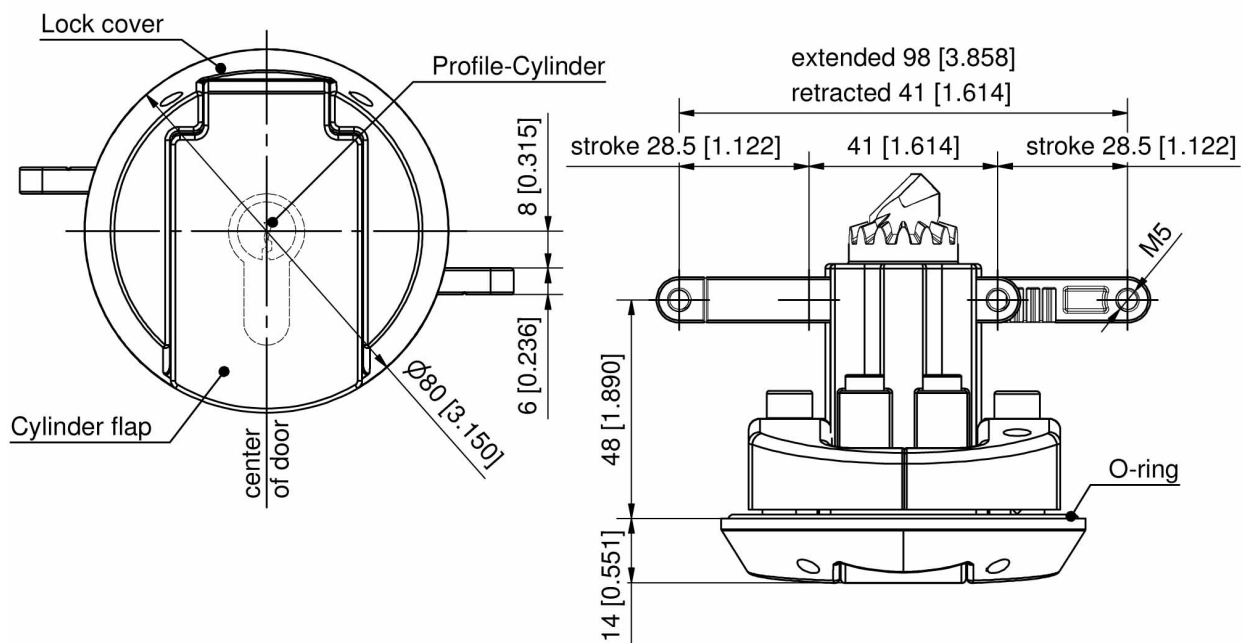


2-point latch PHZ with lock cover

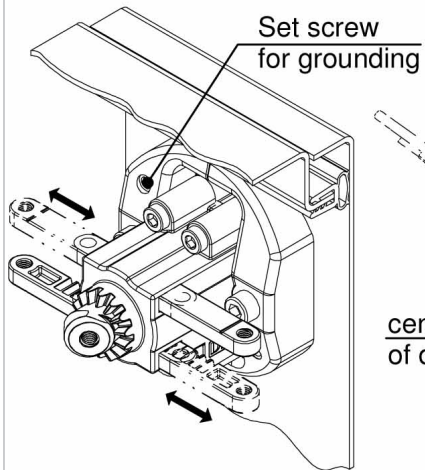
Part Number	Multi-point latch	Compression	Version
448-9123.00-00000	Yes	Yes	for flat rods

Complementary Products:

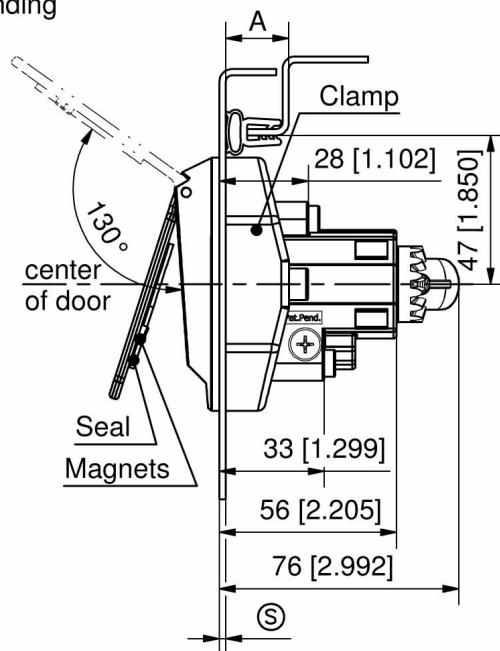
6-503	Flat Rod
3-911SL	Rod Guide FS SNAP-LINE
3-910	Flat Rod Guide FS
211-9001.00-00000	Profile-cylinder
211-9002.00-00000	Profile-cylinder



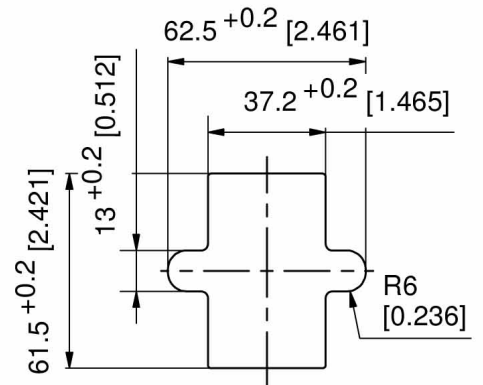
Operation



Example of application



Cutout incl. paint



Rod formular:

$$L = \frac{\text{clearance of the cabinet} - 10\text{mm [0.394] (tolerance)} - 41 [1.614] \text{ (Rod Latch System in retraced condition)}}{2 [0.079]}$$

for 2-point latch PHZ 6-503.01, with lock and flat rods with rollers, horizontal

