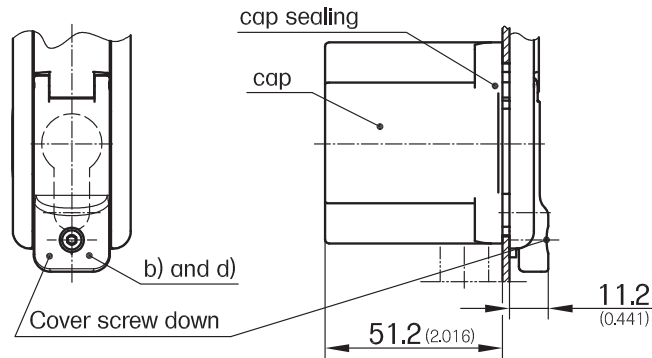
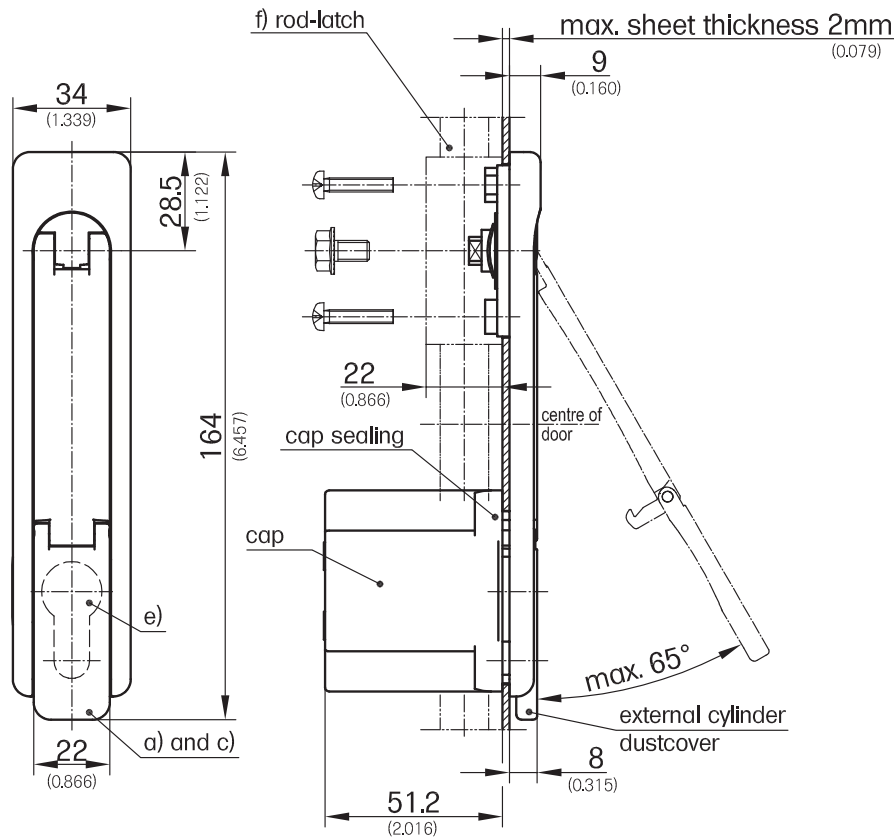
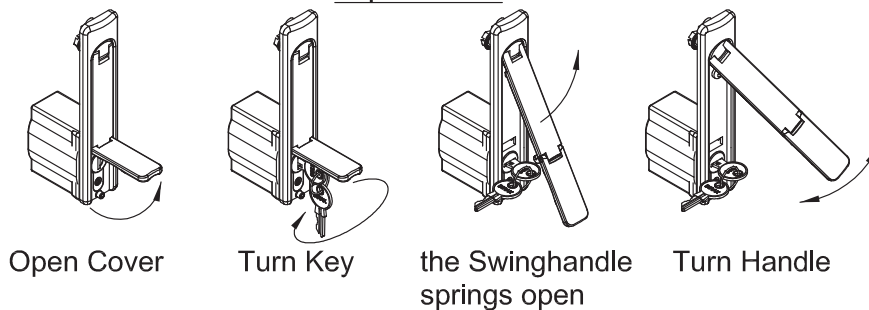


# 7-061 Swinghandle FS PrC stainless steel



## Operation

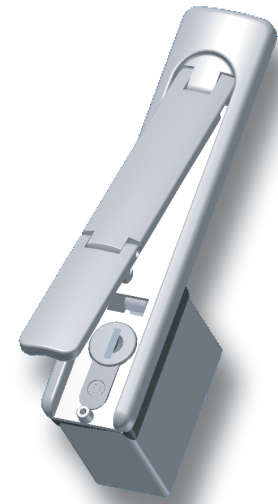


Open Cover

Turn Key

the Swinghandle  
springs open

Turn Handle



Low profile, elegant swinghandle for application with rod-latch system see product system 7-040.

The design and the extremely narrow gap between handle and body makes this swinghandle suitable against vandalism. The low profile design prevents this swinghandle being used as climbing support

- Locking cylinder fitted in the dish.
- A cage protects the locking cylinder from being deliberately pushed or forced through.
- Bolted internal cap is made of stainless steel.
- Easy fitting.
- Cutout version C 50x25mm. Further dimensions of cutout version C see product system 3-010.
- Water- and dust tight according to IP65 DIN EN 60529.
- ~135° Swing.
- RH and LH application.
- Cover optional screw down.

## Material:

- Dish, handle, cover, cap and rotating disk: AISI 316L
- Springs: AISI 301
- Grooved pin and pin with axial knurl: AISI 303
- Locking bolt: AISI 316
- Serrated screw and grooved pin: AISI 304
- Countersunk screw and raised head screw: stainless steel
- L-Sealing for internal cap: NBR/Nitrile 70° +/- 5° shore A
- O-Ring: NBR/Nitrile black
- Washer: PTFE- Teflon

	Part-No.
a) NT- Swinghandle stainless steel for Profile-cylinder 40 and 45mm	307-9301.00-00000
b) NT- Swinghandle stainless steel for Profile-cylinder 40 and 45mm, cover screw down	307-9306.00-00000
c) NT- Swinghandle stainless steel for KABA	on request
d) NT- Swinghandle stainless steel for KABA, cover screw down	307-9303.00-00000

e) Profile cylinders see product system 2-140 and 7-069.

f) Rod-Latch see product system 7-040.

12/16/08

© copyright by DIRAK / Germany

