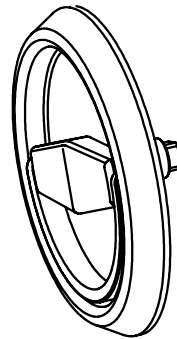
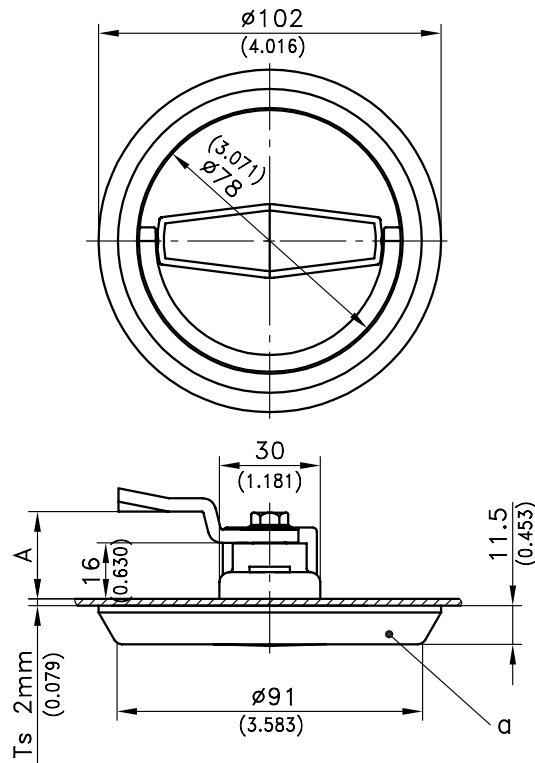


# 7-072 Dish Handle PrA

stainless steel



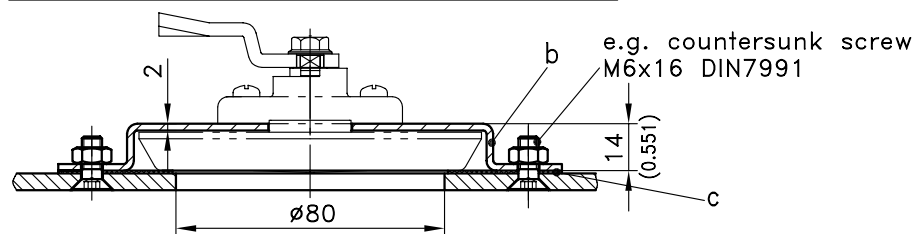
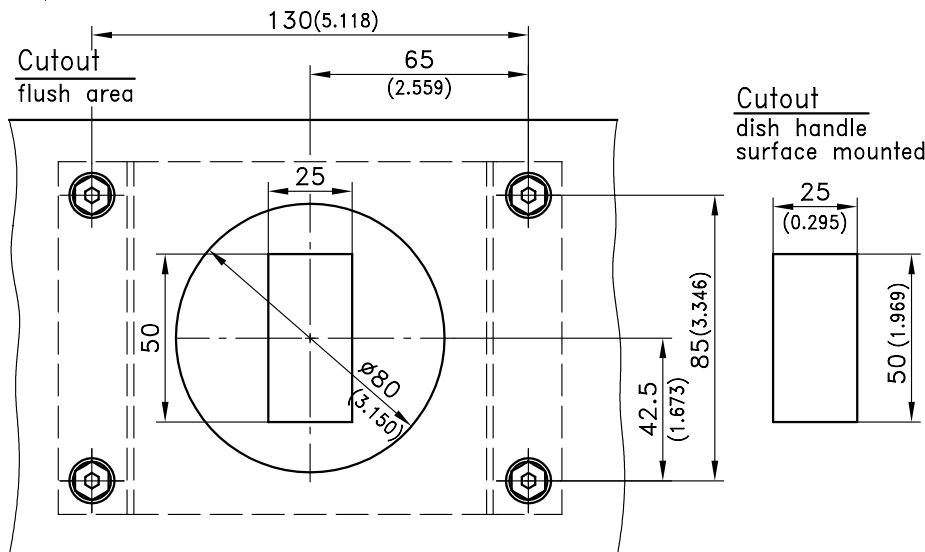
Dish Handle for 2- or 3-point cam.

- Water- and dust-tight according to IP65 EN 60529.
- Properties of material AISI 316 Ti:

The titanium increases even further the corrosion resistance particularly the intercrystalline corrosion at the grain boundaries.

**Material:**

- a) and b)
  - **Dish Handle and adapter bracket:** AISI 316Ti, cast
- c)
  - **Flat seal:** Inducon



**a) Dish Handle with O-rings (IP65)** **208-9638**  
cams resp. 3- point cams  
see product system 7-080 / 7-105

Optional for flush area mounting:  
**b) Adapter bracket** **207-3605.90**  
**c) Flat seal** **200-0905**

12/16/08

© copyright by DIRAK / Germany

