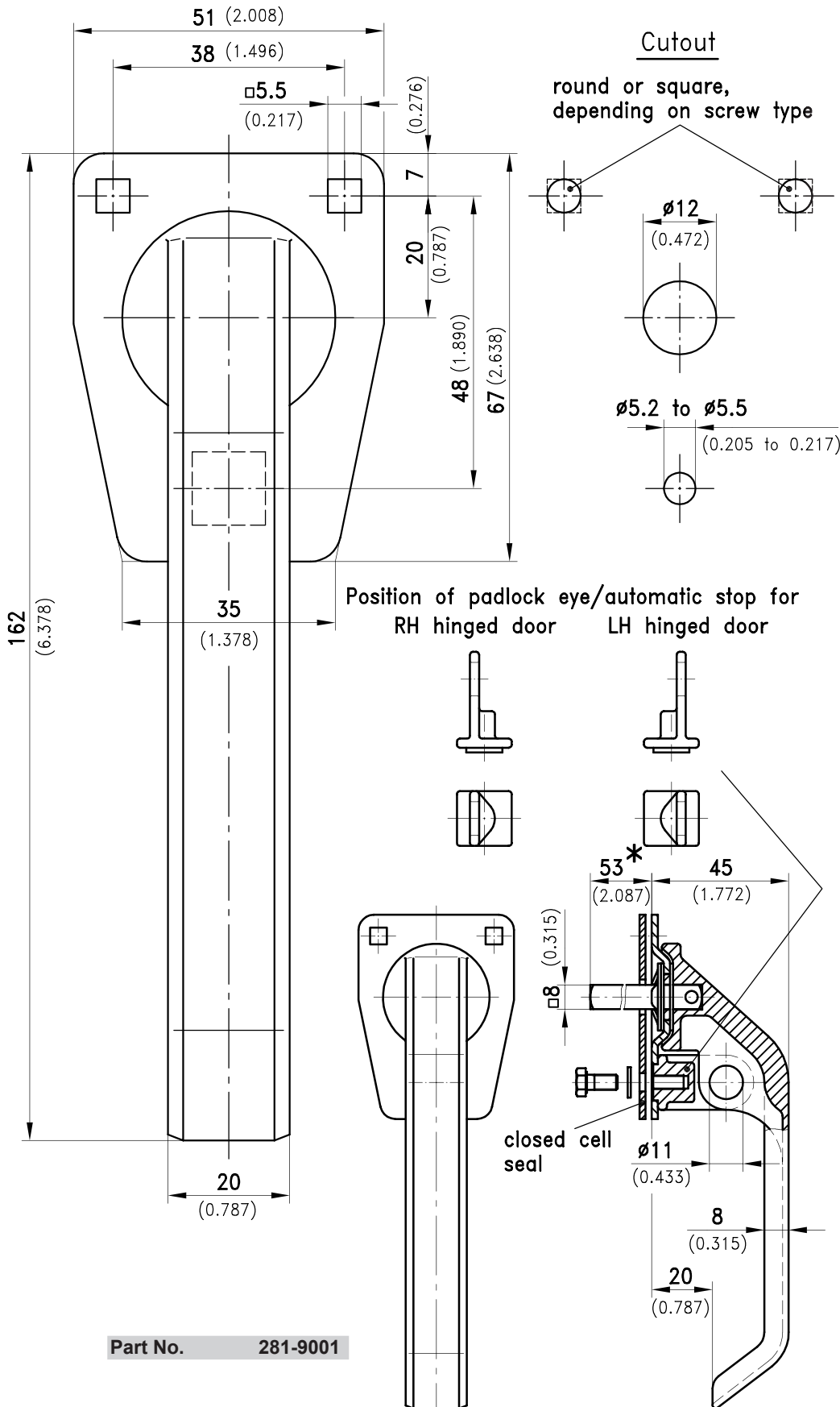


7-073 Handle

for Padlock, stainless steel



L-Handle Heavy Duty for padlock.

- The padlock eye is asymmetric creating an automatic stop in closed position for RH and LH hinged doors.
- The position of this padlock eye prevents injuries when closing.
- The handle is sealed to IP65 (NEMA 4/12).
- The seal, screw and washer are included.

Material:

- **L-Handle:** AISI 316, surface polished
- **Padlock eye and shaft:** AISI 316, untreated
- **Mounting plate:** AISI 304, untreated
- **Hex. screw (M5x10) and flat washer (5mm):** AISI 304
- **Gasket:** closed cell, EPDM

* For longer and/or 3/8-16 UNC threaded shafts, please consult DIRAK.

Part No. 281-9001

12/16/08

© copyright by DIRAK / Germany

