



7-081.03HD Hygiene Quarter-Turn with L-Handle

Specially developed Hygiene stainless steel Quarter-turn with L-Handle (HD, Hygienic design), for applications in the food sector and hygienic areas



Benefits:

- ▶ Tested according to: GS-NV 2:2013/06 Principles for the testing of food processing machines GS-NV 6:2013/06 Principles for the testing of hygiene requirements. Machine Ordinance: DIN EN 1672-2:2009
- ▶ DGUV Test Certificate NV 13090.
- ▶ The food sector and hygienic areas are some of the applications.
- ▶ Dirt resistant and easy to clean by means of polished surface and transition radii.
- ▶ RH / LH application.
- ▶ IP 65/67/69K according to DIN EN 60529 / DIN 40050.
- ▶ Cam can be delivered pre-assembled upon request.
- ▶ A pre-assembled Quarter-Turn can be installed in the cutout.
- ▶ (S) = max. 8mm.

Material:

- ▶ **Housing and Handle:** stainless steel AISI 316 L
- ▶ **Grounding nut and Serrated Screws:** stainless steel
- ▶ **Seal:** Silicon, blue, FDA conform (Food and Drug Administration)

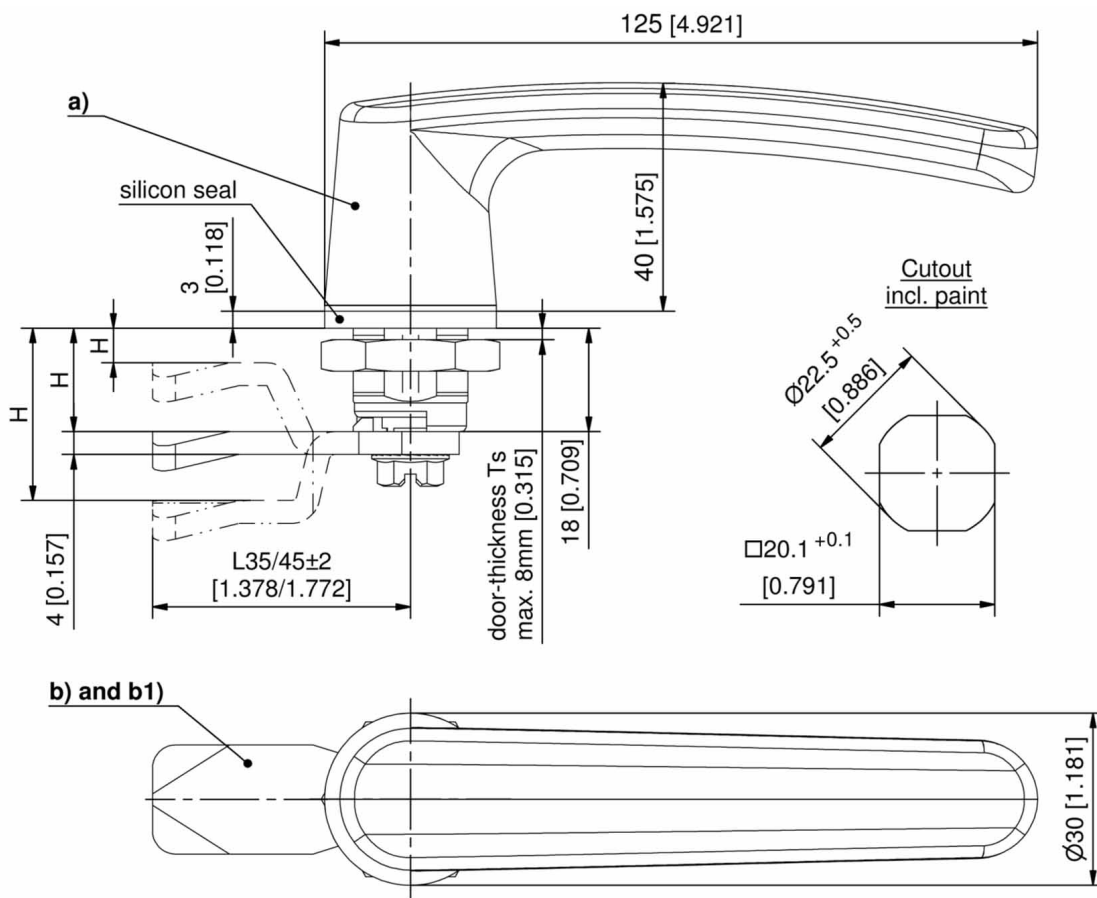


Hygiene Quarter-turn with L-Handle

	Part Number	Material	Surface	Grounding type
a)	100-9416.00-00000	stainless steel	stainless steel	Grounding nut

Complementary Products:

	7-105	Cams L35/45
b)	7-105.01	Cams L35/45 without Ramp and Stop
b1)		



certificate
no. **NV 13090**
dated 27.06.2013

Translation

DGUV Test Certificate

Name and address of the holder of the certificate: (customer)	DIRAK Dieter Ramsauer Konstruktionselemente GmbH Königsfelder Str. 1 D 58256 Ennepetal
Name and address of the manufacturer:	dto.
Product designation:	HD-Drehriegel
Type:	Drehriegel für Lochbild 20,1 x 22,5
Intended purpose:	see associated test report
Testing based on:	Hygiene requirements: GS-NV 2:2013/06 Principles for the testing of food processing machines GS-NV 6:2013/06 Principles for the testing of hygiene requirements Neunte Verordnung zum Produktsicherheitsgesetz (Maschinenverordnung) DIN EN 1672-2:2009
Remarks:	The certificate refers to the conception of the product described in the associated test report. In das DGUV Test-Zeichen ist außer der Bescheinigungs-Nr. auch der Hinweis "Hygiene geprüft" einzufügen.

The type tested complies with the test basis specified above.
The holder of the certificate is entitled to affix the DGUV Test-mark shown overleaf to the products complying with the type tested, including the specification given under the heading 'remarks'.

The present certificate is valid until: **26.06.2018**

Further provisions concerning the validity, the extension of the validity and other conditions are laid down in the Rules of Procedure for Testing and Certification of August 2012.

.....
Signature (Zertifizierer)

Postal address: Postfach 10 04 41 • 68136 Mannheim • Office: Dynamostraße 7-11 • 68165 Mannheim
Phone: 0621 4456-3430 • Fax: 0621 4456-3431 • E-Mail: maschinensicherheit@bgn.de • www.pz.bgn.de
Our reference: 612.17 Bai/Rm • Produktschlüsselnummer: 91011

PZB08_E
07.10

In any case, the German original shall prevail.