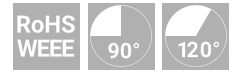




6-170 Telescopic Cover Support with Automatic Locking Device



Advantages

- Telescopic cover support for covers and desk-leafs.
- Automatic locking and unlocking functionality by guide mechanism.
- Guides separately riveted, locking lever made of stainless steel.
- Robust design.
- RH/ LH application.

Materials

- **Inner- and outer rails, mounting angles and cam plates:** steel, zinc plated
- **Catch lever:** stainless steel (cast)

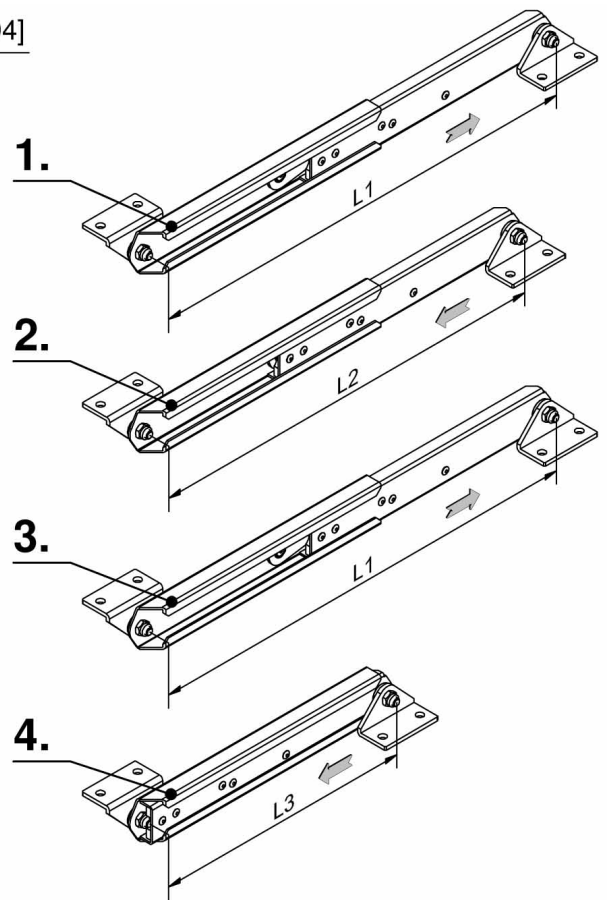
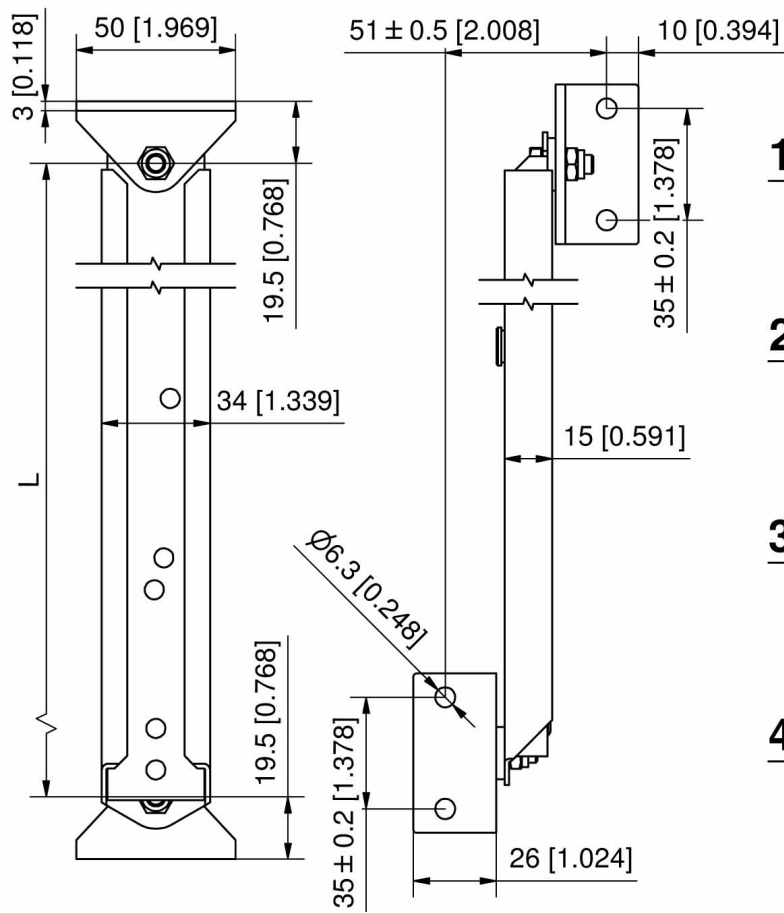
Remarks

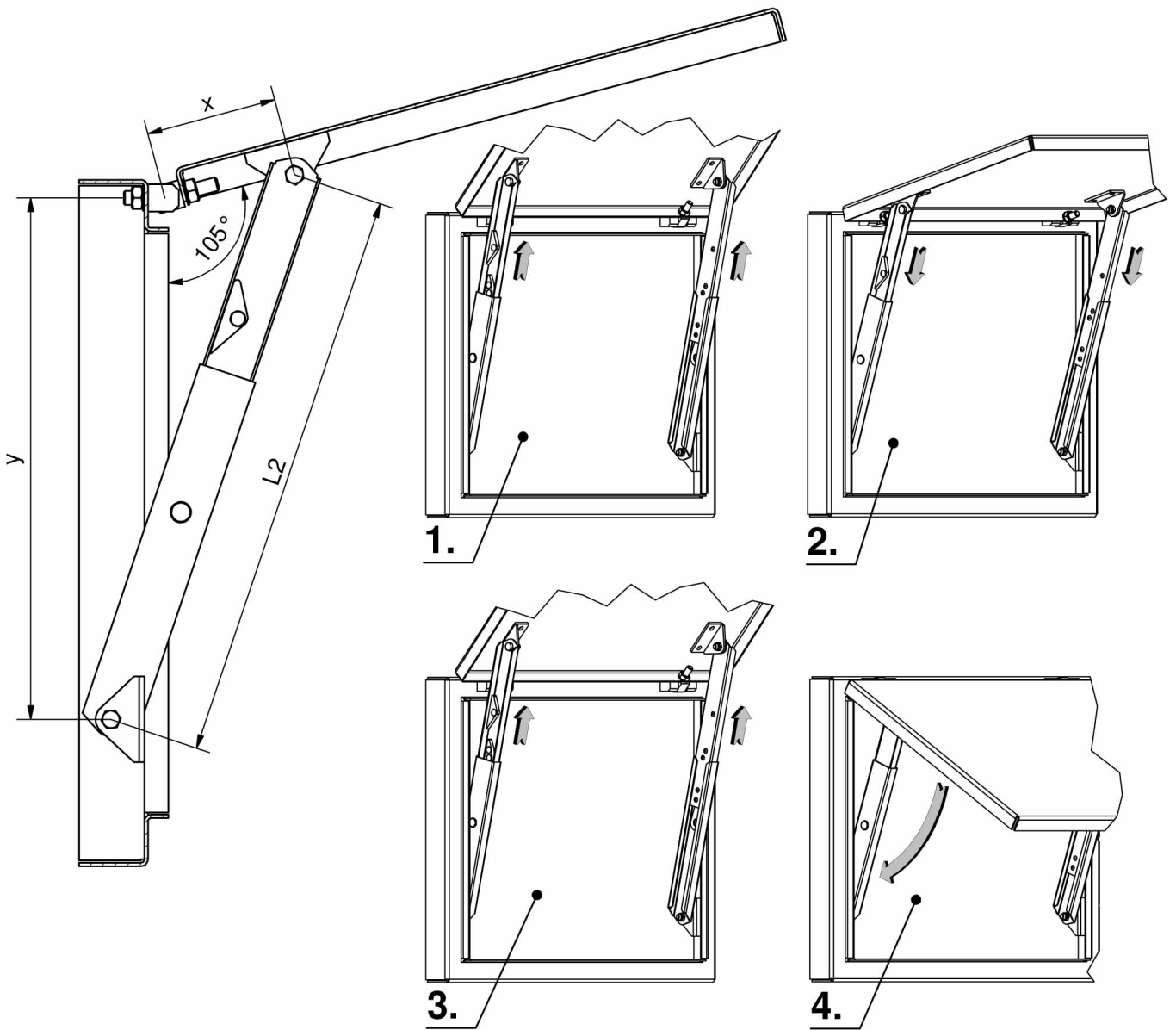
1. Alignment of the locking lever by complete extension of the telescopic cover support.
2. After retraction of 3 cm the telescopic cover support snaps in securely.
3. Renewed extension brings the locking lever back into free-run position.
4. The telescopic cover support can be retracted now.



Telescopic Cover Support

Part Number	Length L3 retracted	Length L1 extended	Length L2 extended, snapped	Version
230-9001.00-00000	215±2	335±2	365±2	RH/LH
230-9002.00-00000	395±2	725±2	695±2	RH/LH





Telescopic cover support 230-9002.00-00000

Opening Angle	Length L3, retracted mm [inch]	Length L2, extended, engaged mm [inch]	Length L1, extended mm [inch]	approx. Dimension y mm [inch]	approx. Dimension x mm [inch]
90°	395±2 [15.551]	695±2 [27.362]	725±2 [28.543]	653 [25.709]	220 [8.661]
105°	395±2 [15.551]	695±2 [27.362]	725±2 [28.543]	610 [24.016]	200 [7.874]
120°	395±2 [15.551]	695±2 [27.362]	725±2 [28.543]	582 [22.913]	180 [7.087]
135°	395±2 [15.551]	695±2 [27.362]	725±2 [28.543]	568 [22.362]	160 [6.299]

Telescopic cover support 230-9001.00-00000

Opening Angle	Length L3, retracted mm [inch]	Length L2, extended, engaged mm [inch]	Length L1, extended mm [inch]	approx. Dimension y mm [inch]	approx. Dimension x mm [inch]
90°	215±2 [8.465]	335±2 [13.189]	365±2 [14.370]	315 [12.402]	100 [3.937]
105°	215±2 [8.465]	335±2 [13.189]	365±2 [14.370]	298 [11.732]	85 [3.346]

- The stated dimensions are only valid in the shown assembly situation (Hinge 4-200).
- Changing the assembly situation makes own tests necessary.
- Opening angle can be varied by changing dimensions y and x.

1. For opening push into end position
2. Engaged position
3. For closing push again into end position
4. Lock