



## 4-345 Hinge Pr01/04 180°



Lift-off, for nested door or surface mounted door

### Advantages

- Elegant screw-on Hinge for nested doors.
- Lift-off.
- The installation screws are concealed.
- Although designed initially for flush constructions, this hinge can also be used for surface mounted doors (refer to lower example of application).
- **Attention:** In this case the opening angle is only about 130°.
- Due to the endless number of different applications with often extremely limited fitting space (e.g. upper example of application) we do not include any screws for this hinge.
- See product system 4-346.

### Materials

- **Hinge: zinc die, chrome plated or black**
- **Spacer: Teflon, black or white**

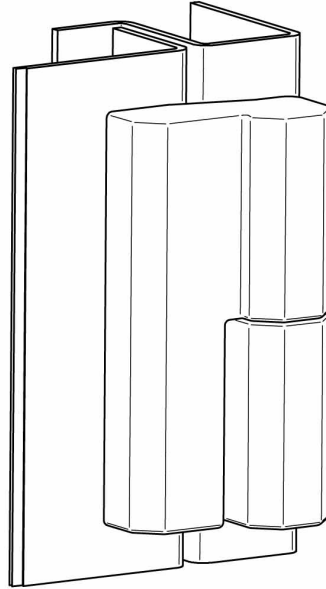
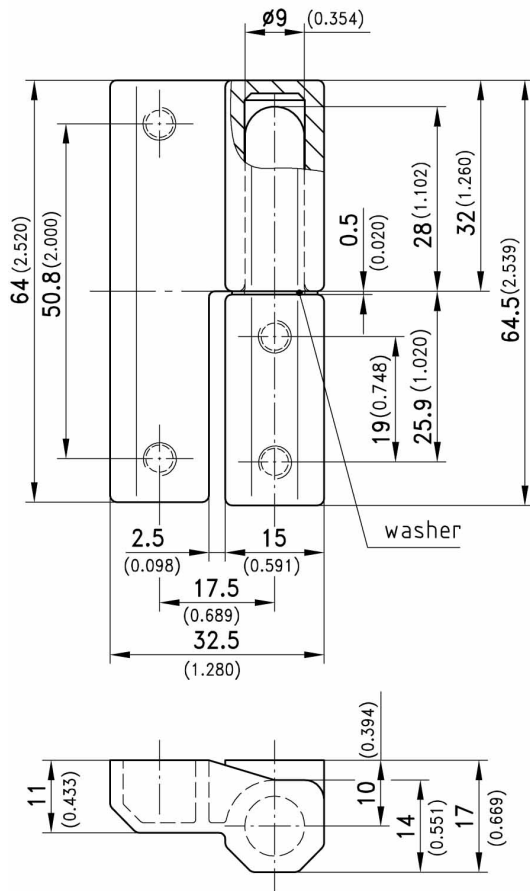


## Hinge, zinc die, black

Part Number	Version	Pin version	Ø Pin d	Installation type
217-9503.00-00000	RH	molded in	9,0 mm	screw-on
217-9504.00-00000	LH	molded in	9,0 mm	screw-on

## Hinge, zinc die, chrome plated

Part Number	Version	Pin version	Ø Pin d	Installation type
217-9505.00-00000	RH	molded in	9,0 mm	screw-on
217-9506.00-00000	LH	molded in	9,0 mm	screw-on



### Examples of application

