

7-152SL Hinge Pr05 SNAP-LINE 180°



door bending 20mm, for surface mounted door, tool-less installation, stainless steel

Advantages

- 180° Hinge SNAP-LINE for surface mounted door for single cabinets.
- RH and LH application.
- Installation of the frame-part by simple push into the cutout.
- Water- and dust-tight according to IP65 DIN EN 60529 by using the O-ring (not included).

Materials

- **Frame-part and door-part:** stainless steel AISI 316
- **Pin:** stainless steel AISI 316 or POM (see product system 6-050)
- **Snap wedges:** stainless steel
- **O-Ring:** NBR, black



Pin Hinge

Part Number	Clamping range	Material pin	Pin version	Pin length L	Pin diameter	Installation type
412-9063.00-01217	1,2 - 1,7 mm	stainless steel	loose	43,0 mm	6,0 mm	tool-less
412-9064.00-01217	1,2 - 1,7 mm	POM	self-locking	57,0 mm	6,0 mm	tool-less
412-9063.00-01722	1,7 - 2,2 mm	stainless steel	loose	43,0 mm	6,0 mm	tool-less
412-9064.00-01722	1,7 - 2,2 mm	POM	self-locking	57,0 mm	6,0 mm	tool-less

* Complementary products

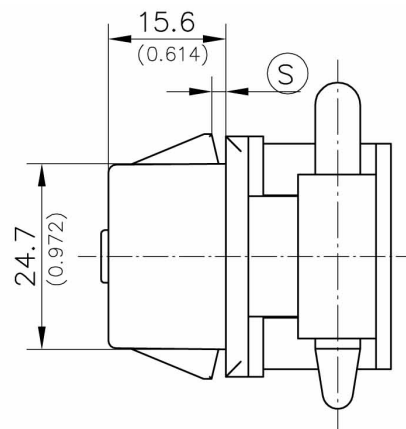
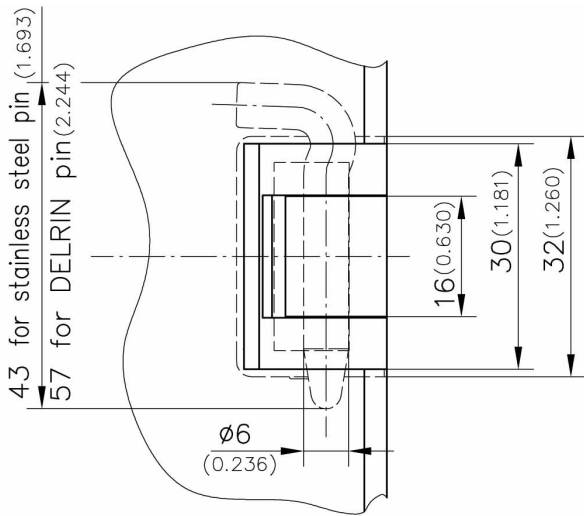
292-0403.06-07035 **Cutout-cover**

292-0403.06-09005 **Cutout-cover**

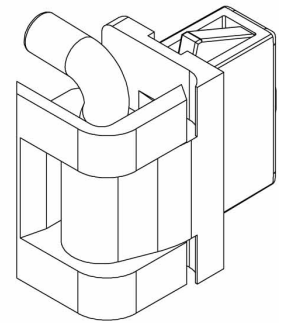
292-0306.80-02530 **Tool for uninstallation**

+ Function extension

839-3770.40-02120 **O-ring 21 x 2.0mm**



Cutout door-part
incl. paint



Cutout frame-part
incl. paint

