



2-340 Swinghandle RS 130



for cutout 130, for round rods with thread, for profile-cylinder

Advantages

- Swinghandle can only be used with rod latches see product system 2-340.01
- Dual cylinder RS130 see product system 2-126.02 (zinc die) and 2-126.04 (PA) on request.
- RH / LH application.
- PA version fully insulated.
- IP65 according to DIN EN 60529.

Materials

- a) to a3)
- **Swinghandle:** PA, black or zinc die, black
 - **Dish:** PA, black



Swinghandle PA, black, for profile-cylinder, Ø46

	Part Number	Latching type	Internal cover	Surface handle	Material cylinder cover	Sealable	Installation type
a)	207-9056.00-00000	profile-cylinder 40mm	Ø46	black			screw-on
a1)	207-9057.00-00000	profile-cylinder 40mm	Ø46	black	PA	Yes	screw-on
a2)	207-9058.00-00000	PHZ 45mm	Ø46	black	PA	Yes	screw-on

Swinghandle, handle zinc die, dish PA black, for profile-cylinder, Ø46

	Part Number	Latching type	Internal cover	Surface handle	Material cylinder cover	Sealable	Installation type
a3)	207-9059.00-00000	PHZ 45mm	Ø46	black	zinc die	Yes	screw-on

Schwenkhebel PA, schwarz für PHZ, Ø46

	Part Number	Latching type	Internal cover	Surface handle	Material cylinder cover	Sealable	Installation type
b)	207-9319.00-00000	profile-cylinder 40mm	Ø46	black			screw-on
b1)	207-9320.00-00000	profile-cylinder 40mm	Ø46	black	PA	Yes	screw-on
b2)	207-9321.00-00000	PHZ 45mm	Ø46	black	PA	Yes	screw-on

Schwenkhebel Griff GDZn, Mulde PA, schwarz für PHZ, Ø46

	Part Number	Latching type	Internal cover	Surface handle	Material cylinder cover	Sealable	Installation type
b3)	207-9322.00-00000	PHZ 45mm	Ø46	black	zinc die	Yes	screw-on

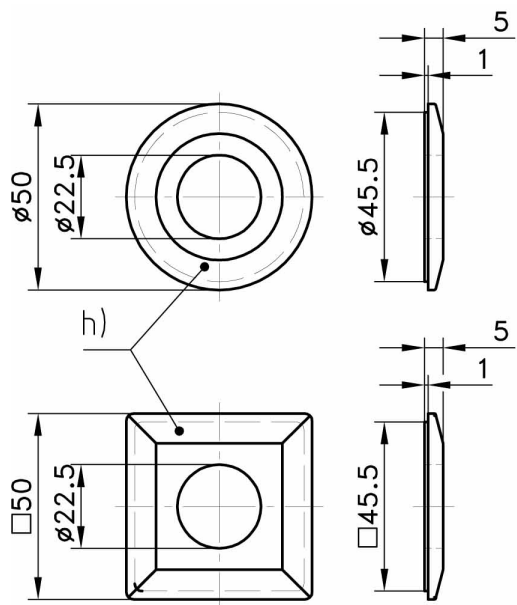
* Complementary products

2-140 **Profile-Cylinder**

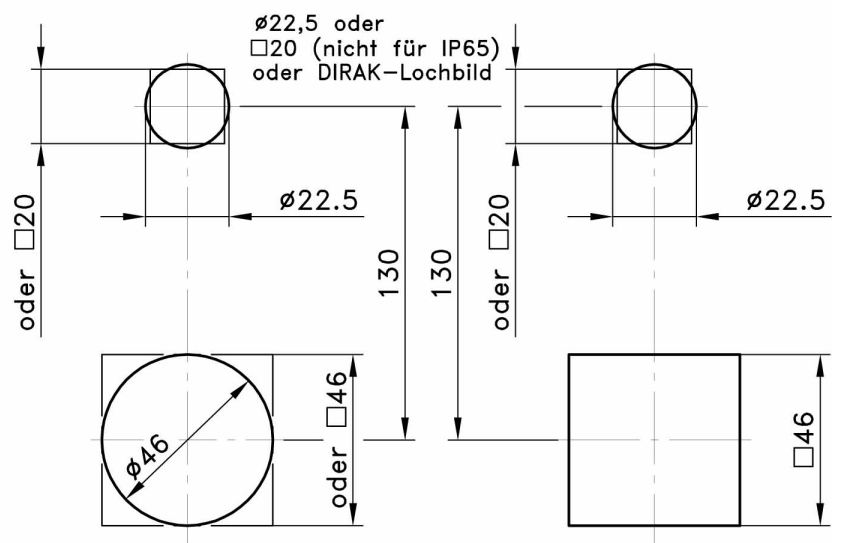
2-340.01 **Rod Latch RS**

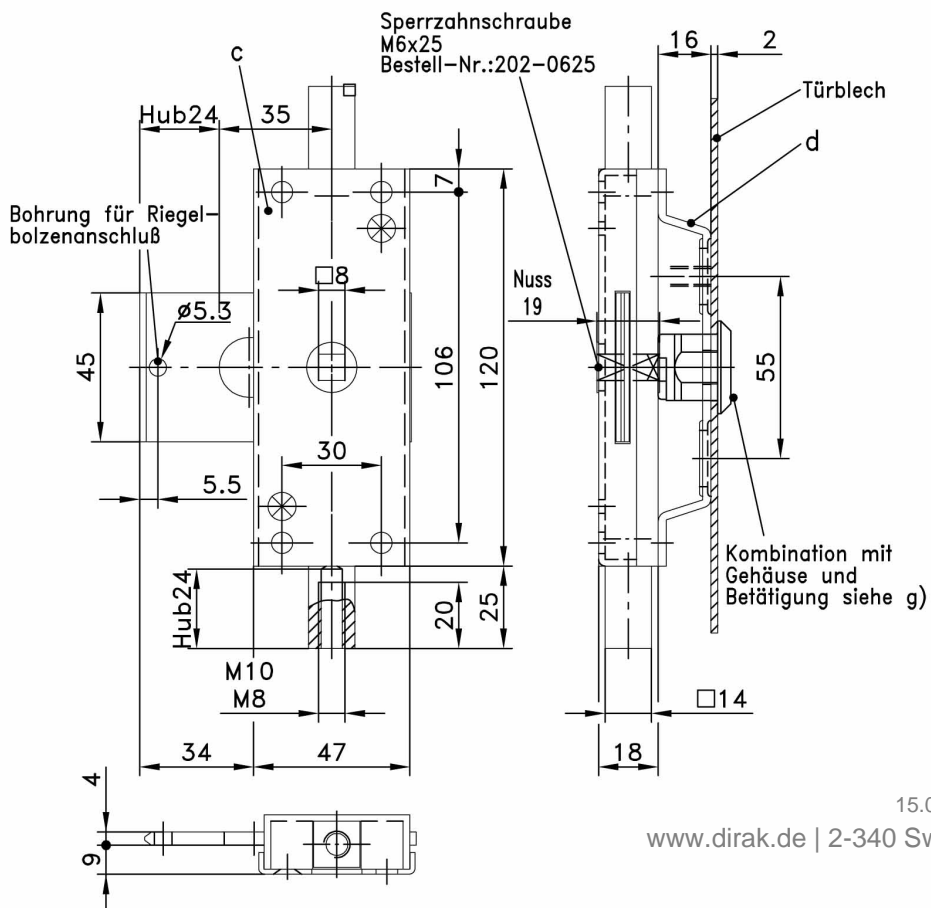
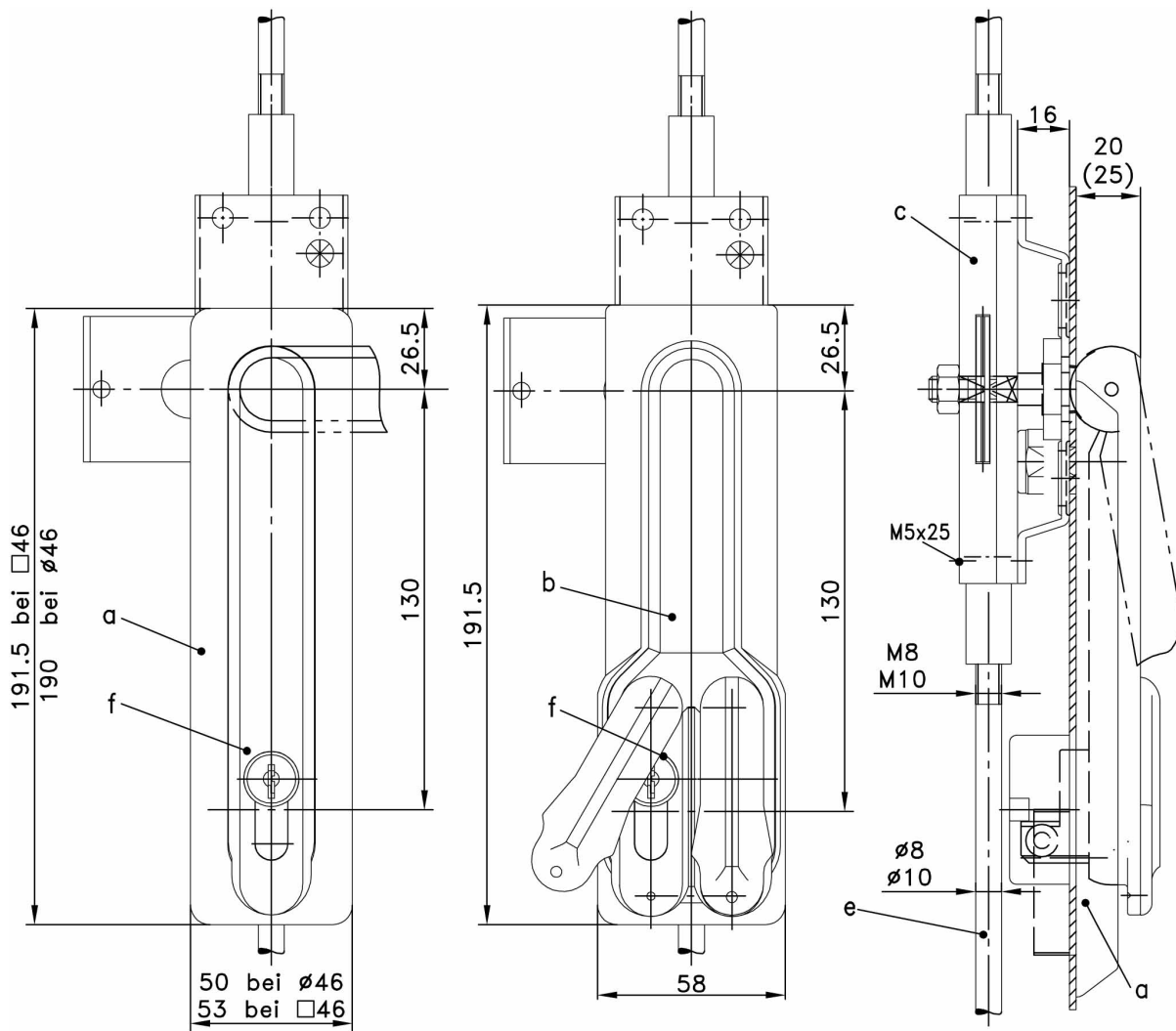
207-2701.03-00000 **Adapter for cutout Ø 46mm**

207-2702.03-00000 **Adapter for cutout 46mm square**

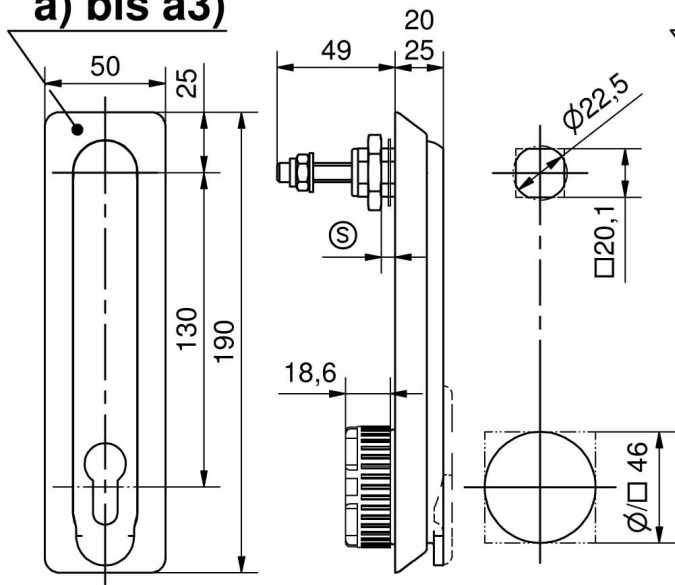


zu a) Einbauöffnungen zu b)





a) bis a3)



b) bis b3)

