



6-045.02 Cage Nuts

RoHS
WEEE

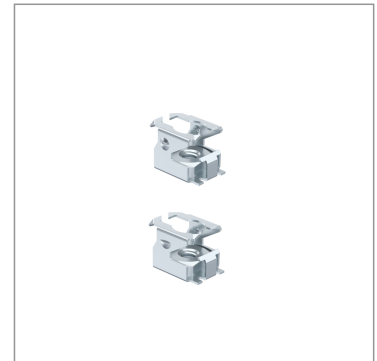
Ensures fixed connection of two metal sheets

Advantages

- Easy installation by pressing into square holes.
- Nut is moveable and adjustable in the cage until final fixing by screw.
- c) and d) special design of the cage prevents from falling out of the cutout.

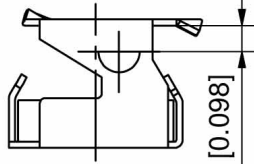
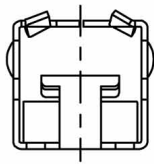
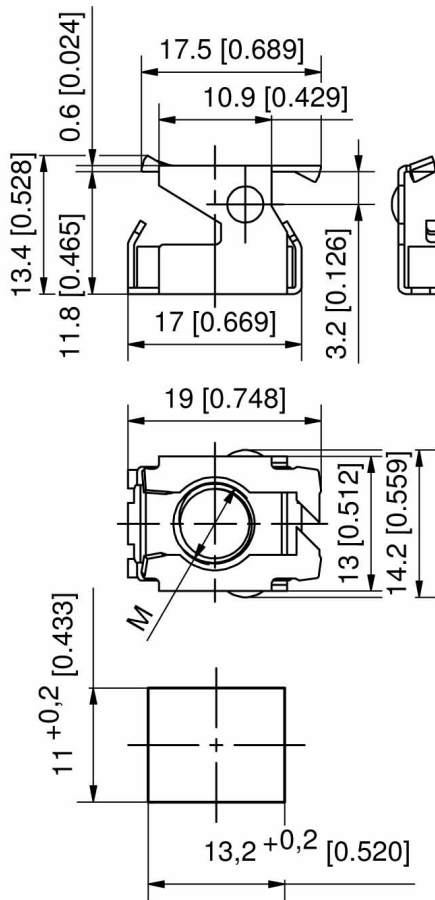
Materials

- **Cage and Nut:** steel, zinc plated

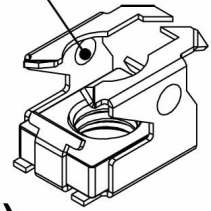


Cage Nuts

	Part Number	Version	Material	Surface	Packaging unit
a)	350-2004.00-00000	M8	steel	zinc plated	200 pcs.
b)	350-2005.00-00000	M6	steel	zinc plated	200 pcs.
c)	350-2046.00-00000	M6	steel	zinc plated	200 pcs.
d)	350-2096.00-00000	1/4-20UNC	steel	zinc plated	200 pcs.



a) and b)



c) and d)

