

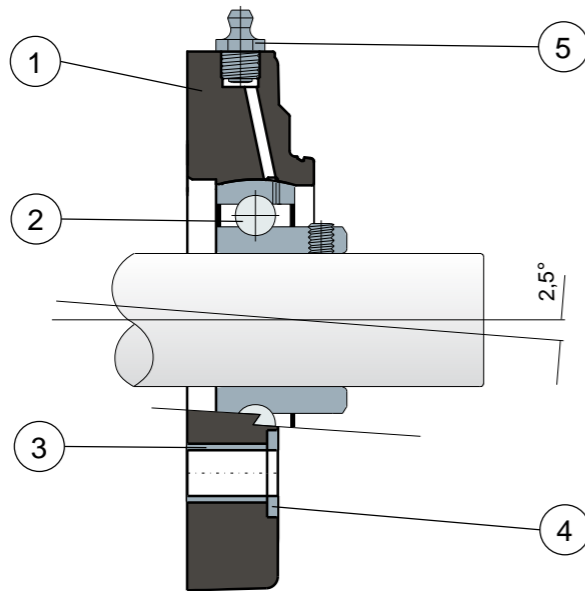


# Round flanged bearing supports

Serie **UCFC**



Without cover and back gasket



- 1) Support body made out of black or white polyamide reinforced with glass fibers.
- 2) Chrome steel or stainless steel bearing AISI 440.
- 3) Spacer for fixing reinforcement made out of stainless steel AISI 304.
- 4) UNI 6592 support washer made out of stainless steel AISI 304.
- 5) Greaser, straight type with 1/8 gas thread, made out of nickel-plated brass.

NOTE: The only difference from UCFC/C series is lack of back gasket and protection cover, which can be ordered separately as accessories.

Support dimensions respect ISO 3228 set of rules.

Maximum shaft alignment error 2,5°.

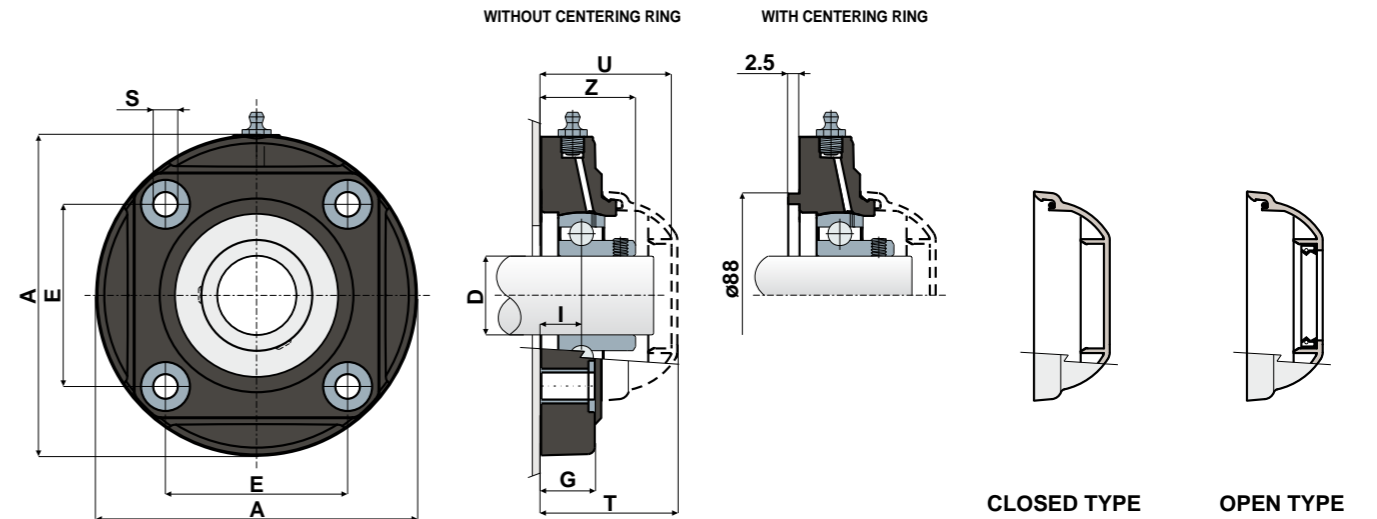
For further information please contact our technical office or sales department.

# Round flanged bearing supports

Technical data



Serie **UCFC**



FLANGE WITHOUT CENTERING RING

		CODES		DIMENSIONS (mm)										CHROME STEEL BEARING		BEARING LOAD (N)		COVER CODES	
D	SERIE	Black colour	White colour	E	A	S	G	I	Z	U	T	C	CO	(N)	Closed type	Open type			
35	UCFC 207	85668	85670	77,8	137	10,5	26	17	40,8	56	58	25500	15300	19550	80077	80078			

		CODES		DIMENSIONS (mm)										STAINLESS STEEL BEARING AISI 440		BEARING LOAD (N)		COVER CODES	
D	SERIE	Black colour	White colour	E	A	S	G	I	Z	U	T	C	CO	(N)	Closed type	Open type			
35	UCFC 207	85669	85671	77,8	137	10,5	26	17	40,8	56	58	21600	15300	19550	80077	80078			

FLANGE WITH CENTERING RING

		CODES		DIMENSIONS (mm)										CHROME STEEL BEARING		BEARING LOAD (N)		COVER CODES	
D	SERIE	Black colour	White colour	E	A	S	G	I	Z	U	T	C	CO	(N)	Closed type	Open type			
35	UCFC 207	86021	86023	77,8	137	10,5	26	17	40,8	56	58	25500	15300	19550	80077	80078			

		CODES		DIMENSIONS (mm)										STAINLESS STEEL BEARING AISI 440		BEARING LOAD (N)		COVER CODES	
D	SERIE	Black colour	White colour	E	A	S	G	I	Z	U	T	C	CO	(N)	Closed type	Open type			
35	UCFC 207	86022	86024	77,8	137	10,5	26	17	40,8	56	58	21600	15300	19550	80077	80078			

**MATERIALS:** Support made out of black or white colour PA+glass fiber; chrome steel or stainless steel bearing; greaser made out of nickel plated brass; reinforcement bushings and washers made out of stainless steel AISI 304; gaskets made out of NBR rubber; cover made out of polypropylene, grey colour RAL 7042.

**FEATURES:** The difference from UCFC/C series is lack of back gasket and protection cover, which can be ordered separately as accessories. Assembly with shouldered and not shouldered shafts. Maximum shaft alignment error 2,5°.

**BOX QUANTITY:** 8 pieces.

**ON REQUEST:** Versions with body in polypropylene + glass fiber and antibacterial additive; protection cover in different colours and with customized brand; box quantity according to your request; Viton gaskets, "Long life" bearings.