



# Take-up bearing supports

Serie **UCT**

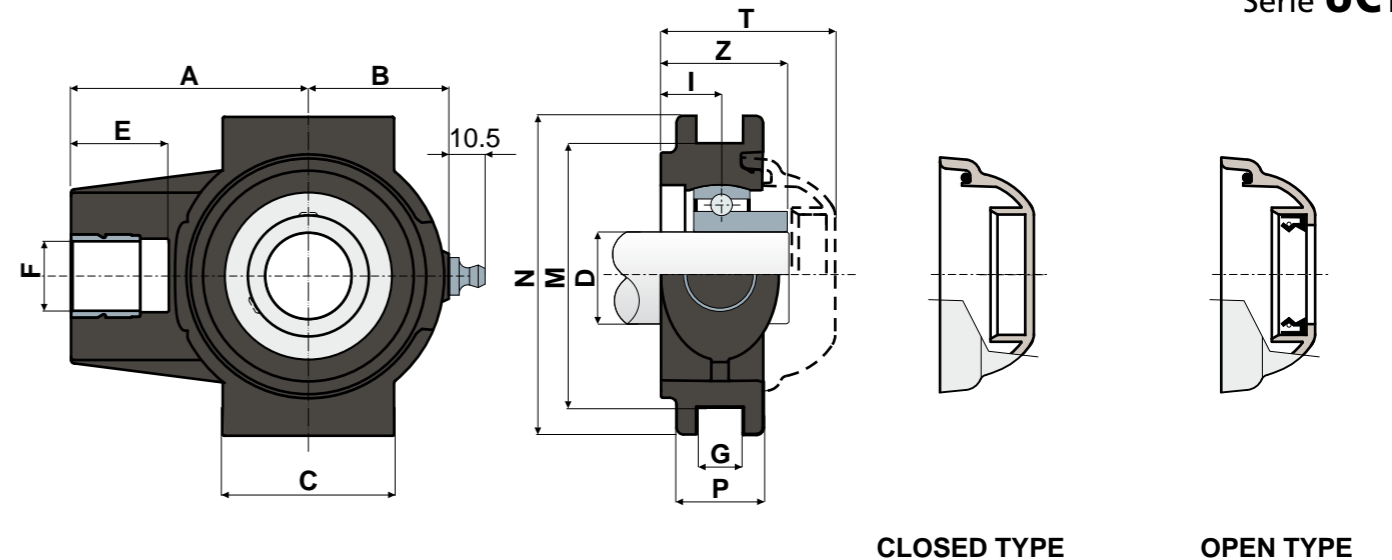


# Take-up bearing supports

Technical data

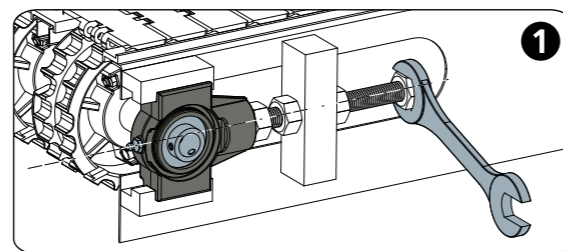
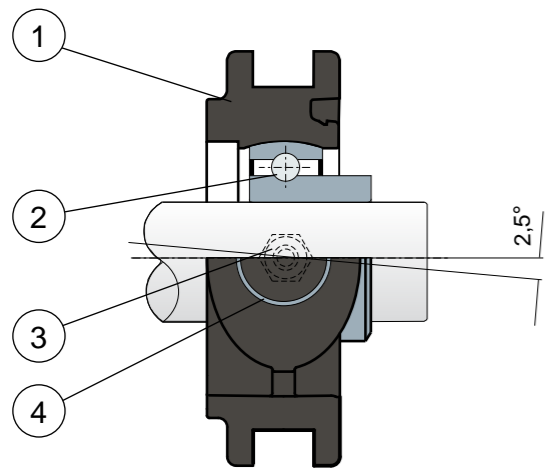


Serie **UCT**

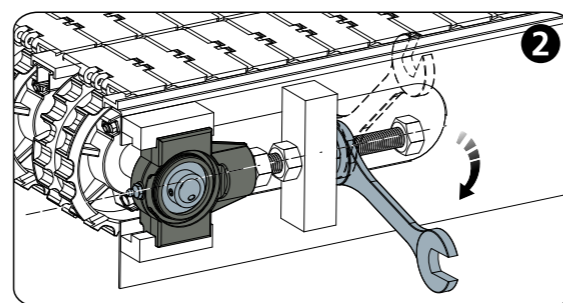


Without cover and back gasket

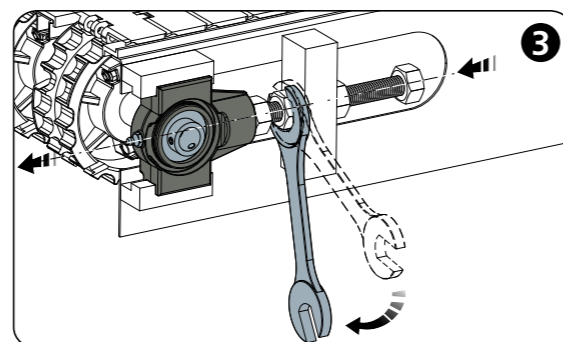
Example of application



Lock the shaft



Unscrew the lock



Screw to make the support advance

- 1) Support body made out of black or white polyamide reinforced with glass fibers.
- 2) Chrome steel or stainless steel bearing AISI 440.
- 3) Greaser, straight type with 1/8 gas thread, made out of nickel-plated brass.
- 4) Bushing made of nickel plated brass.

NOTE: The only difference from UCT/C series is lack of back gasket and protection cover, which can be ordered separately as accessories.

Support dimensions respect ISO 3228 set of rules.

Maximum shaft alignment error 2,5°.

For further information please contact our technical office or sales department.

D	SERIE	Support CODES		DIMENSIONS (mm)													Bearing load (N)		Bearing support load		COVER CODES	
		Black colour	White colour	A	B	C	E	F	G	I	M	N	P	Z	T	C	C0	(N)	Closed type	Open type		
20	UCT 204	85684	85686	63,5	35	50	28	M16	13,5	17	76,2	92	25	35	50	12800	6600	16000	80254	80255		
25	UCT 205	86115	86116	68,5	40,5	50	28	M20	13,5	17	76,2	92	13,5	36,5	50,2	14000	7800	24000	80075	80076		
30	UCT 206	86144	86146	77	48	57	28	M24	13,5	18,5	89	104	28	40,5	55,7	19500	11200	27000	80011	80053		

D	SERIE	Support CODES		DIMENSIONS (mm)													Bearing load (N)		Bearing support load		COVER CODES	
		Black colour	White colour	A	B	C	E	F	G	I	M	N	P	Z	T	C	C0	(N)	Closed type	Open type		
20	UCT 204	85685	85687	63,5	35	50	28	M16	13,5	17	76,2	92	25	35	50	10800	6600	16000	80254	80255		
25	UCT 205	86117	86118	68,5	40,5	50	28	M20	13,5	17	76,2	92	13,5	36,5	50,2	11900	7800	24000	80075	80076		
30	UCT 206	86148	86150	77	48	57	28	M24	13,5	18,5	89	104	28	40,5	55,7	16250	11200	27000	80011	80053		

MATERIALS: Support made out of black or white colour PA+glass fiber; chrome steel or stainless steel bearing; greaser and bushings made out of nickel plated brass; gaskets made out of NBR rubber; cover made out of polypropylene, grey colour RAL 7042.

FEATURES: The difference from UCT/C series is lack of back gasket and protection cover, which can be ordered separately as accessories. Assembly with shouldered and not shouldered shafts. Maximum shaft alignment error 2,5°.

BOX QUANTITY: 8 pieces.

ON REQUEST: Versions with body in polypropylene + glass fiber and antibacterial additive; protection cover in different colours and with customized brand; box quantity according to your request; Viton gaskets, "Long life" bearings.