



# Take-up bearing supports

Serie **UCT/CX**

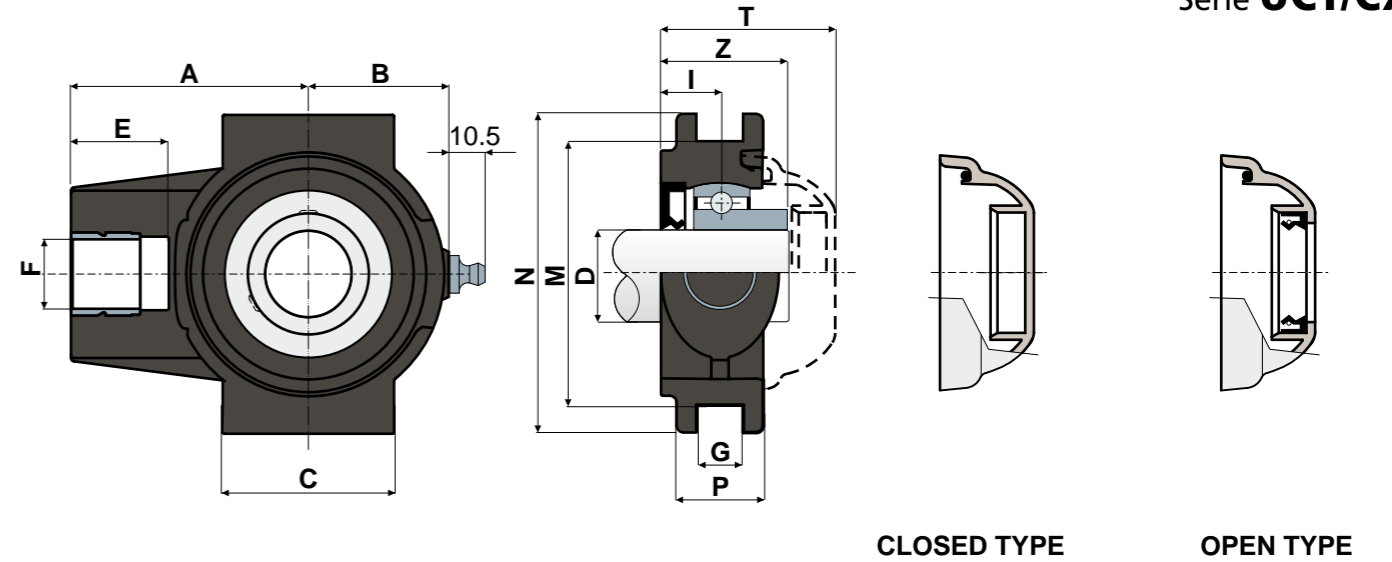


# Take-up bearing supports

Technical data

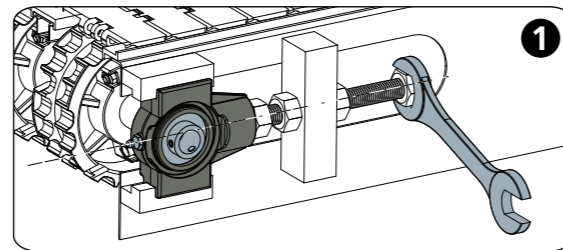
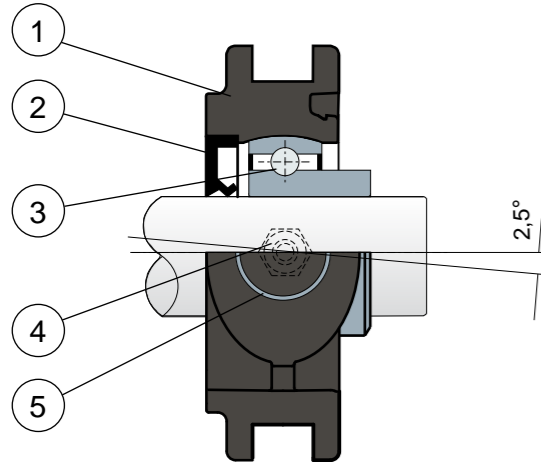


Serie **UCT/CX**

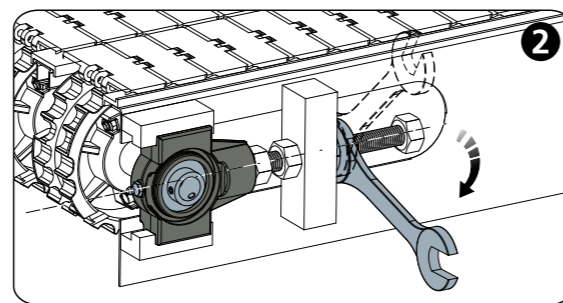


Without protection cover

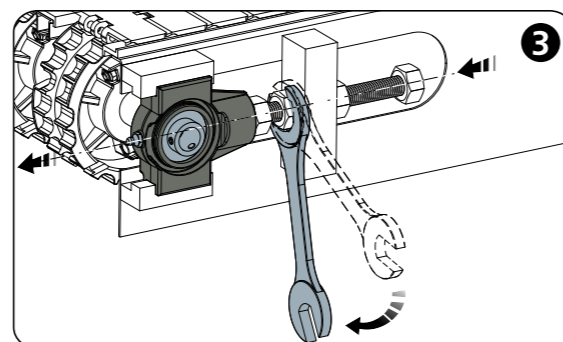
Example of application



Lock the shaft



Unscrew the lock



Screw to make the support advance

- 1) Support body made out of black or white polyamide reinforced with glass fibers.
- 2) Back gasket made out of NBR rubber for turning shaft seal.
- 3) Chrome steel or stainless steel bearing AISI 440.
- 4) Greaser, straight type with 1/8 gas thread, made out of nickel-plated brass.
- 5) Bushing made of nickel plated brass.

NOTE: The only difference from UCT/C series is lack of protection cover, which can be ordered separately as an accessory.

Support dimensions respect ISO 3228 set of rules.

Maximum shaft alignment error 2,5°.

For further information please contact our technical office or sales department.

D	SERIE	Support CODES		DIMENSIONS (mm)													Bearing load (N)		Bearing support load	COVER CODES	
		Black colour	White colour	A	B	C	E	F	G	I	M	N	P	Z	T	C	C0	(N)	Closed type	Open type	
		20	UCT 204 CX	85680	85682	63,5	35	50	28	M16	13,5	17	76,2	92	25	35	50	12800	6600	16000	80254
25	UCT 205 CX	86111	86112	68,5	40,5	50	28	M20	13,5	17	76,2	92	13,5	36,5	50,2	14000	7800	24000	80075	80076	
30	UCT 206 CX	86136	86138	77	48	57	28	M24	13,5	18,5	89	104	28	40,5	55,7	19500	11200	27000	80011	80053	

D	SERIE	Support CODES		DIMENSIONS (mm)													Bearing load (N)		Bearing support load	COVER CODES	
		Black colour	White colour	A	B	C	E	F	G	I	M	N	P	Z	T	C	C0	(N)	Closed type	Open type	
		20	UCT 204 CX	85681	85683	63,5	35	50	28	M16	13,5	17	76,2	92	25	35	50	10800	6600	16000	80254
25	UCT 205 CX	86113	86114	68,5	40,5	50	28	M20	13,5	17	76,2	92	13,5	36,5	50,2	11900	7800	24000	80075	80076	
30	UCT 206 CX	86140	86142	77	48	57	28	M24	13,5	18,5	89	104	28	40,5	55,7	16250	11200	27000	80011	80053	

**MATERIALS:** Support made out of black or white colour PA+glass fiber; chrome steel or stainless steel bearing; greaser and bushings made out of nickel plated brass; gaskets made out of NBR rubber; cover made out of polypropylene, grey colour RAL 7042.

**FEATURES:** The difference from UCT/C series is lack of protection cover which can be ordered separately as an accessory. Assembly with not shouldered shafts. Maximum shaft alignment error 2,5°.

**BOX QUANTITY:** 8 pieces.

**ON REQUEST:** Versions with body in polypropylene + glass fiber and antibacterial additive; protection cover in different colours and with customized brand; box quantity according to your request; Viton gaskets, "Long life" bearings.